

# SCHWINN

A World of Daily Innovation®

## QUICK SHIP PROGRAM 7

In stock and ready to ship from our Arizona warehouse.

### To order

Email: [sales@schwinnhardware.com](mailto:sales@schwinnhardware.com)

Fax: 480.247.5605

Telephone: 480.259.3107

Prices in this book are  
suggested retail prices.

[www.schwinnhardware.com](http://www.schwinnhardware.com)





Schwinn 2Z346/96 Pull designed by Jens Risom.  
(Actual size.)



Download catalog at  
[www.schwinnhardware.com](http://www.schwinnhardware.com)

## 1. Schwinn Hardware – a story of dedication.

What Peter Schwinn started in 1932 as a workshop in Ober-Ramstadt, Germany (a small town near Frankfurt) using synthetic resin to make furniture handles and knobs, is today one of the leading European manufacturers of furniture hardware. Unlike most hardware companies, Peter Schwinn did not start the company as a blacksmith or metal workshop. He started it to make handles and knobs. For more than 85 years, the company has added many new materials and technologies: stainless steel, aluminum, die-cast zinc, injection-molded plastic, and wood are just a few. But no matter the advances, we always stayed true to one thing: our core-business of furniture hardware. It is this focus, along with our dedication to continuous improvement, that makes Schwinn Hardware a leader in the technology, design, manufacturing, and service of furniture hardware.

So, what do Schwinn Hardware and Schwinn bicycles have in common? Just the name. Ignaz Schwinn, a German who was born in 1860 in a town one hour southeast of Ober-Ramstadt, emigrated to the USA, and in 1895 founded Arnold, Schwinn & Company making bicycles in Chicago. Thirty-seven years later, Peter Schwinn started his furniture hardware company in Germany.

## 2. Schwinn Hardware today – a world of daily innovation.

Today's furniture hardware business is global. Many, many companies from around the world compete on all levels from being the fastest, the cheapest, the hippest, the largest and the most experienced to whatever category a marketing person can come up with. At Schwinn, we have always believed that we are only in business because of our customers.

If we provide them with the best choice of relevant designs, industry leading manufacturing technology, superior quality, shortest possible lead times, great service, and competitive prices they will buy our products to make their furniture better. Furniture that our customers from around the world design, manufacture, build, install, restore, improve, or refresh.



A modern Schwinn factory (Ober-Ramstadt) today.

## 3. Furniture hardware – functional decoration.

Even though the term “decorative hardware” is commonly used to describe the product category that handles and knobs are supposed to belong to, they are far more than just decorative. Warren Plattner, one of America's great architects and furniture designers, recalls that his employer and mentor, Raymond Loewy, the great American Industrial Designer, taught him: “it is worthwhile to pay attention to a very simple object.” For over eight decades we have studied how fingers and hands – small and large, long nailed and thick, wet, or oily – can quickly or slowly grab, touch, feel, pull, push, open, and close drawers and doors, that are high, low, left or right. We designed and manufactured thousands of different designs and then started all over to come up with new and different approaches to solve the same problems. All the while the world of furniture changed and we helped make the changes better with new designs, new technology, new finishes, new materials, and new ways to work with our customers. At Schwinn, we've done our best when a customer loves the furniture that was made better by our hardware.

#### 4. **Hardware in modern architecture and furniture design.**

In his famous 1908 essay "Ornament and Crime", Adolf Loos (the Moravian born Austrian architect), explained that the relationship between object and ornament was a moral one based on the conviction that the ornament causes objects to go out of style and the effort that goes into the ornamentation is wasted and thus a crime. It was also the Moravians who built the town of Salem, now Old Salem, in North Carolina, and for those who have seen it, they will recall the lack of ornamentation in the buildings and furniture. "Ornament and Crime" was a major contribution to modernist architectural theory and a new era. It was the same era in which Peter Schwinn started his company. Bauhaus architects like Breuer and Mies van der Rohe, as well as De Stijl architects like Rietveld, developed a new language for their furniture hardware. It was tool-like, functional, and without surface decoration. It was modern. Since then modern hardware design has taken many different directions. From Aalto's organic designs; Eames's utilitarian use of wire pulls; and Neutra's total elimination of hardware for built-in furniture to Girard's and Nelson's mid-century modern exuberant designs, to the post-modern whimsical Starck. But rarely has a specific handle or knob become known for the designer who designed it.

#### 5. **Measurements – inches to millimeters.**

Our standard of measure is the millimeter. When making small objects like handles and knobs, the millimeter is an appropriately precise unit. It can easily be converted into fractions of an inch, but that is a task we want to help you with. For that reason, we have included a conversion table so you can have it both ways. All measurements appear in the same order: width, height, and depth. Those measurements describe the handle or knob. Then there is "center to center" for the distance between taps. Sometimes there are C/C options for the same handle. Sometimes there is only one thread. In that case we have made sure by design that the knob will stay in place and will not accidentally twist.

#### 6. **Materials: Zamak – 95% of the purest zinc. Plus aluminum, magnesium and copper in a standardized combination.**

The invention of Zamak is a great American story of ingenuity. Developed and trademarked by the New Jersey Zinc Company in 1929, it solved two big problems: zinc itself is a brittle, low strength, and low hardness metal. However, the addition of three other metals transformed it and made it comparable (even superior) to other cast metals such as aluminum, magnesium, brass, and cast iron. In order to maintain the great mechanical properties of this alloy and to avoid the problem of zinc pest commonly caused by other zinc alloys at the time, New Jersey's research showed that they needed to use zinc that was 99.99% free of impurities.

To produce this never-before available grade they used a special refluxer during the smelting process to separate the wanted from the unwanted. The name Zamak itself is an acronym of the German words for the metals Zink (zinc), aluminium (aluminum), Magnesium (magnesium) and Kupfer (copper). Today there are several different Zamak alloys. With over 70% share, Zamak 3 is the most common Zamak used in the United States for hot chamber die-casting to make parts in industries ranging from cars and airplanes to household appliances. Schwinn hardware is made with Zamak 5 (European Standard EN 1774) which has 1% copper added to make it stronger and harder than Zamak 3.

**7. Materials: brass – zinc again and mainly copper (in many different combinations).**

Brass is a generic term for a very broad range of copper-zinc alloys (not to be confused with bronze, which is a copper-tin alloy). Unlike Zamak, brass has no clear specification as to how much copper and zinc it has to contain. Different brasses consist of between 15 to 50% and more zinc, and 50 to 85% copper, sometimes additionally with some lead, tin, or aluminum.

This makes for very different qualities of materials that are all called brass. Decorative hardware made of brass is often stamped, forged, die-cast, or sand-cast, however, none of these techniques allows for the same complex shapes, close tolerances, and range of variation in thickness and economical finishing as Zamak. To protect the beautiful muted yellow color or to give brass hardware a chrome, nickel, or colored finish it is usually treated in similar ways as Zamak. It is then first the quality of the finish that determines how the part performs over time.

**8. Materials: aluminum – or is it aluminum alloy?**

Aluminum – unlike Zamak or brass – is not an alloy; however, due to high shrinkage, aluminum is rarely ever used in its pure form to cast or extrude parts like decorative hardware. So again copper, magnesium, manganese, silicon, and zinc are added in various degrees to create the desired properties. There are many different aluminum alloys available and they all have different benefits, advantages, and usages. And even though aluminum is naturally corrosion-resistant, aluminum alloys are less so. That is why there is a “marine grade” aluminum.

Schwinn hardware is made with an aluminum alloy called Al Mg Si 0,5 (European Standard 3.3206). A good corrosion resistance material that we make even higher with our anodized finishes.

**9. Materials: stainless steel – it’s the chromium that makes the steel corrode less (and shiny when polished).**

Since the 19th-century it was known that adding chromium to steel (another alloy) gives ordinary steel a special resistance to corrosion. A process called passivation creates a layer of chromium oxide on the surface so thin that the metal is still lustrous, but thick enough to prevent the corrosion process to spread into the material. It is the same process that occurs on aluminum and titanium. A minimum of 11% of chromium in the steel is required. The more the better. Over 150 different grades of stainless steel are available today with up to 26% chromium, some with nickel, molybdenum, aluminum, titanium, or manganese depending on the desired properties.



Zamak ingots ready for production.

**10.**  
**Materials: steel – mostly iron, with little or no carbon.**

Simply speaking, if it is not stainless steel it is carbon steel. Just as there are many different alloys that we call stainless steel there are even more that we call carbon steel. All of them are steel alloys containing nickel, molybdenum, aluminum, titanium, or manganese to name a few. Steel with very low carbon content and some fibrous slag is known as wrought iron. The manufacture of this product – with its beautiful wood-like grain – declined in the 1950's due to the high cost of production. Even though the term wrought iron is often still used in hardware, the material it refers to has been replaced with mild steel (low but not as low as carbon content steel).

As an economical choice certain types of handles like wire pulls can be made of steel and finished in many high-quality finishes, especially powder coating.



A die-casting tool in the making at the Schwinn tool shop.

**11.**  
**Materials: plastic – it created a stir at the 1862 International Exhibition in London.**

When Alexander Parkes presented this new material he had derived from cellulose and called Parkesine – the first man-made plastic – at the 1862 International Exhibition London, people were fascinated. But Parkesine was expensive, prone to cracking, and highly flammable. A few years later, in 1868, the American inventor John Wesley Hyatt developed a plastic material he named Celluloid improving on Parkes' invention so that it could be processed into finished form. Together with his brother Isaiah, Hyatt patented the first injection-molding machine in 1872, which was quickly used to make things like buttons and combs. Today there are thousands of different plastics that are injection-molded into almost everything including furniture hardware.

An economical choice, injection-molded handles, knobs, legs, and grommets play a big role in the modern furniture industry and Schwinn provides an increasingly large share of innovative products for that market.

**12.**  
**Production: die-casting – a process born in the USA.**

First invented in 1876 in America by the German Ottmar Mergenthaler for the printing industry, the process of forcing molten metal under high pressure into mold cavities was quickly refined and as a result, it caught on in many industries. Today it is used worldwide to manufacture parts of high-fluidity metal alloys including Zamak, brass, bronze, and magnesium. The parts have excellent dimensional accuracy, smooth cast surfaces (or textured if desired), allow thinner walls when compared to sand cast or permanent mold casting, and great tensile strength which makes it ideal to manufacture complex, high quality, modern design furniture hardware.

However, to produce a perfect part the tool has to be perfect. That's why we have our own Schwinn tool workshop. Highly trained and experienced workers know every important detail of the process and make sure that our furniture hardware is made on the best possible and longest lasting tools.



Die-casting machines in action at a Schwinn factory.

**13.  
Production: extruding –  
by the inch, foot, or yard.**

Extrusion is a process used to create objects of a fixed cross-sectional profile. A material is pushed or drawn through a die of the desired cross-section that can be as simple as a tube or the complex profile of a furniture handle. Although known since the 18th-century, it was not until the 19th-century and the invention of the hydraulic powered press, that the extrusion process was commonly used for lead, and then late in the 19th-century for copper and brass alloys. Today aluminum is the most commonly extruded material. The two main advantages of this process over other manufacturing processes are the ability to create very complex cross-sections and to work with brittle materials. The finished parts have an excellent surface finish – an important requirement for furniture hardware.

**14.  
Production: injection  
molding – the era  
that started in 1946.**

Injection molding is to thermoplastics what die-casting is to metal. Back in 1872, the American John Wesley Hyatt and his brother invented a machine that basically pushed plastic through a plunger into a mold. But it was in 1946 that the screw injection machine by American James Watson Hendry first allowed precise control over the speed of the process and quality of the produced parts. To this day it is still the most economical way to produce large amounts of parts of an ever-increasing amount of materials and possibilities that we call plastics. As one of the leading suppliers to the furniture industry, Schwinn uses ABS, a tough and recyclable plastic, to produce a broad range of high-quality parts from handles and grommets to furniture legs.

**15.  
Finishes: more than  
just a pretty face.**

Many desired properties of furniture hardware, such as resistance to abrasion, wear, acidic liquids, and corrosion, as well as color, luster, sheen, and feel are not accomplished by the primary material used to shape the product, but instead by its finish. It is the finish that often makes the difference between good and great; appropriate or inappropriate for a specific purpose or environment; lasting or short lived. There are many finishes to choose from. Their qualities vary greatly and the differences are much deeper than it appears.

**16. Finishes 1: electroplating – what you don't see is what matters.**

Technically, electroplating is a process in which metal ions (e.g., nickel, copper, chromium, etc.) in a solution are moved by an electric field to coat an electrode like a piece of hardware. Plating is a non-leveling coating. Any imperfection in the cast piece will show. That means the surface has to be finished and buffed or brushed (if a brushed finish is desired) to perfection first. Schwinn employs highly skilled workers with many years of experience for this critical job. Just as the preparation is important for the appearance of the finished piece, so is the cleaning for its durability.

There is even a standard for that: ASTM B3222. After all that is done it is time for several rounds of plating. At Schwinn, we first use a layer of copper, then another layer of copper, then nickel, and finally chromium to achieve our high-quality chrome finish. During this process each part goes through over 40 different baths to ensure perfect and lasting quality.

**17. Finishes 2: anodizing – like nature, only thicker.**

Mostly known and used as a finish for aluminum, anodizing increases the thickness of the aluminum oxide layer that is naturally formed when aluminum is exposed to air. With some chemicals, electricity and a well-prepared surface the anodized part gets an oxide layer that will make it highly corrosion resistant. Since this layer is quite porous it can easily absorb dyes allowing for a nice range of colors. The final step is the application of a sealer – a critical step that keeps the dye from discoloring and seals the surface against corrosion.



**18. Finishes 3: powder-coating. High Performance Finish.**

Because powder coating uses an electric charge and no solvent it can be applied much thicker than liquid paint. In fact Schwinn powder-coated finishes are 5-10 times thicker than lacquer. After preparing the piece the powder is applied with a spray gun and then cured at around 400F. The result is a beautifully smooth, highly durable finish. Schwinn AM Antimicrobial Protected Furniture Hardware features an innovative high performance finish that inhibits microbial growth adding the value of product protection to the design and quality of Schwinn Hardware. It has proven to resist over 1000 hours of salt spray (ASTM-B117) and over 1000 hours of humidity (ASTM-D2247). With its additional excellent scratch resistance, chemical resistance, and adhesion, our performance finish is setting new standards in the industry. For more information please go to [www.schwinnhardware.com](http://www.schwinnhardware.com).



Schwinn's fully automated, high volume powder coating machine.

The Agion Antimicrobial is not intended as a substitute to good hygiene. It does not protect users or others against disease-causing bacteria. Coated products must still be cleaned to insure the surfaces will be free of destructive microbes. Schwinn Hardware makes no representations or warranties, expressed or implied as to the efficacy of the Agion Antimicrobial. Agion is a registered trademark of Scieissant LLC, Wakefield, MA, USA. Cradle to Cradle (CM) is a certification mark of MBDC.

## 19. Finishes 4: lacquering. Thin and smooth protection.

An inexpensive way to achieve a smooth protective coating is the application of a clear or colored varnish that dries by solvent evaporation. Schwinn uses only environmentally friendly water based lacquers. Surface preparation, cleanliness, and the quality of the lacquer are of highest importance in achieving a smooth film that lasts over time.



Schwinn's eco-friendly lacquering machine uses only water-based products.

## 20. Standards for Hardware.

Product safety and performance, as well as the environmental impact of the production and use of furniture hardware, are regulated by various standards in different industries and countries. One important US standard is ANSI A 156.9.2010 which was developed by the Builders Hardware Manufacturers Association and then adopted by the Kitchen Cabinet Manufacturers Association KCMA. Continuous improvements on all levels make sure that Schwinn products always meet or exceed national and international standards.

**LEED.** Leadership in Energy and Environmental Design, is the most widely recognized and used green building program across the globe. It is instituted by the United States Green Building Council. LEED is certifying 1.6 million square feet of building space each day in more than 130 countries. LEED is a certification program for buildings, homes and communities that guides the design, construction, operations and maintenance. Nearly 50,000 projects are currently participating in LEED, comprising more than 8.9 billion square feet of construction space. Because handles and knobs are usually less than 5% of the product by weight (e.g., the desk) these parts generally do not contribute to LEED points.

**Level.** The Level certification process follows the LEED ratings. Instead of being a rating for buildings however it is a rating for all business and institutional furniture manufacturers as well as for the suppliers of materials and components. The implications for furniture hardware like knobs and handles are the same as for LEED.

**RoHS.** Restriction of Hazardous Substances, was adopted by the European Union in 2003 and took effect in 2006. Lead, Mercury, and Hexavalent Chrome are three of the six substances that are targeted and relevant to furniture hardware components. Maximum permitted concentrations are 1000ppm. Schwinn products are in compliance with RoHS.

## 21. ADA considerations.

The Americans with Disabilities Act (ADA) is the most comprehensive civil rights legislation adopted to prohibit discrimination against people with disabilities. The ADA was signed into law on July 26, 1990.

Title III prohibits discrimination by private entities and nonprofit service providers operating public accommodations. This includes privately operated entities that offer licenses and exams, private schools and colleges, banks, restaurants, theaters, hotels, private transportation, supermarkets, shopping malls, museums, health clubs and other recreational facilities, sports arenas, doctor, lawyer and insurance offices, and other commercial facilities.

Public accommodations must not exclude, segregate or treat people with disabilities unequally. This includes compliance with architectural standards providing physical access.

**Guidelines.** Drawer handles fall under section 4.25.4 of the ADA Standards for Accessible Design as hardware for storage facilities. "4.25.4 Hardware. Hardware for accessible storage facilities shall comply with 4.27.4. Touch latches and U-shaped pulls are acceptable." Further detail comes from section 4.27.4: "Controls and operating mechanisms shall be operable with one hand and shall not require tight grasping, pinching, or twisting of the wrist. The force required to activate controls shall be no greater than 5 lbf." Based on these guidelines we have noted for each item in this catalog whether or not we consider it in compliance with ADA.

### Schwinn Item 3793/32 Tab Pull

Material: Aluminum

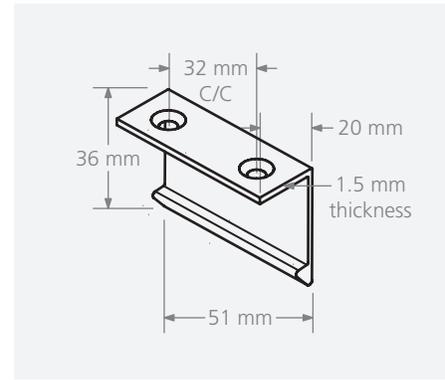
Environmental Information:

- Fully Recyclable
- Meets RoHS Standards
- ADA Compliant: No

51 x 20 x 36 mm

C/C 32 mm; #6 Wood Screw

Satin Nickel	\$8.00
Order Nr. 59068	
Polished Chrome	\$8.00
Order Nr. 59069	
Matte Chrome	\$8.00
Order Nr. 59070	
Polished Nickel	\$8.00
Order Nr. 59071	
Matte Gold	\$9.00
Order Nr. 59337	
Matte Black	\$8.00
Order Nr. 59340	



### Schwinn Item 2361/32 Tab Pull

Material: Zamak

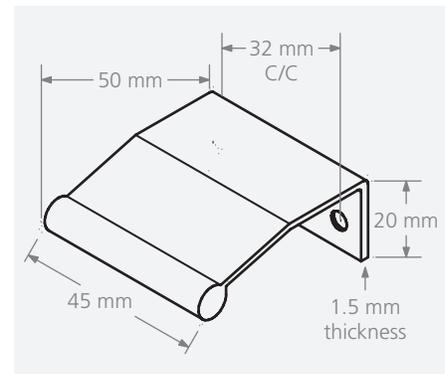
Environmental Information:

- Fully Recyclable
- Meets RoHS Standards
- ADA Compliant: No

45 x 20 x 50 mm

C/C 32 mm; #6 Wood Screw

Satin Nickel	\$11.00
Order Nr. 51396	
Polished Chrome	\$11.00
Order Nr. 51395	
Matte Chrome	\$11.00
Order Nr. 51407	
Matte Gold	\$11.00
Order Nr. 59335	
Matte Black	\$11.00
Order Nr. 59336	



## Schwinn 33651 Series

Material: Steel  
 Environmental Information:  
 - Fully Recyclable  
 - Meets RoHS Standards  
 ADA Compliant: No

### Schwinn Item 33651/32 Tab Pull

65 x 21 x 45 mm

C/C 32; #6 Wood Screw

Matte Gold \$12.00

Order Nr. 59231

Matte Black \$12.00

Order Nr. 59230

Satin Nickel \$12.00

Order Nr. 59232

### Schwinn Item 33651/160 Tab Pull

188 x 21 x 45 mm

C/C 160; #6 Wood Screw

Matte Gold \$16.00

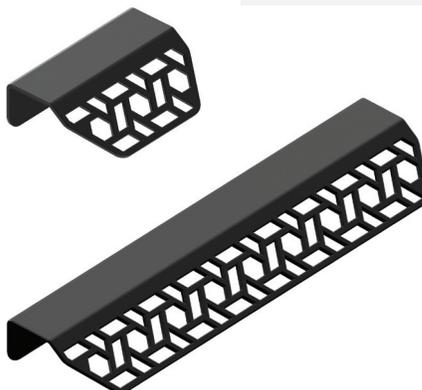
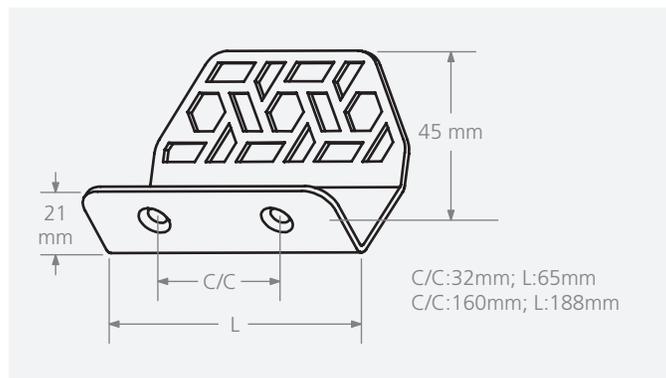
Order Nr. 59234

Matte Black \$16.00

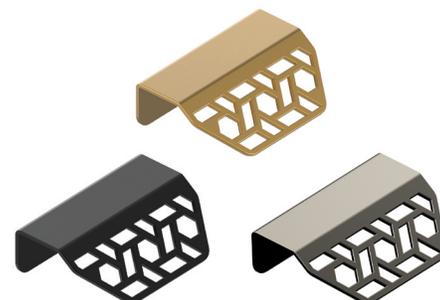
Order Nr. 59233

Satin Nickel \$16.00

Order Nr. 59407



### Available Finishes



### Schwinn Item 2766/32 Pull

Material: Zamak

Environmental Information:

- Fully Recyclable  
 - Meets RoHS Standards

ADA Compliant: No

41 x 41 x 24 mm

C/C 32; M4 Thread

Matte Gold \$13.00

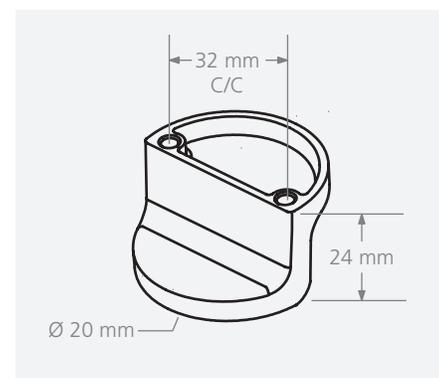
Order Nr. 59410

Matte Black \$12.00

Order Nr. 59408

Satin Nickel \$12.00

Order Nr. 59409



### Schwinn Item 4141 Knob

Material: Stainless Steel Grade 303; Steel

Environmental Information:

- Fully Recyclable  
 - Meets RoHS Standards

ADA Compliant: No

20 x 33 mm

C/C 0; M4 Thread

Brushed Stainless Steel \$12.00

Order Nr. 51970

Satin Nickel \$12.00

Order Nr. 59382

Polished Chrome \$12.00

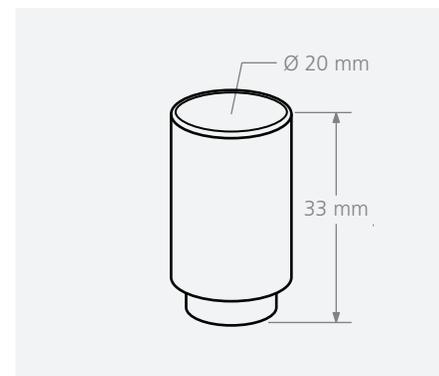
Order Nr. 59381

Matte Gold \$13.00

Order Nr. 59379

Matte Black \$12.00

Order Nr. 59380



### Schwinn Item 2935/32 Pull

Material: Zamak

Environmental Information:

- Fully Recyclable
- Meets RoHS Standards
- ADA Compliant: No

50 x 50 x 24 mm

C/C 32 mm; M4 Thread

Polished Chrome \$16.00

Order Nr. 52901

Matte Gold \$18.00

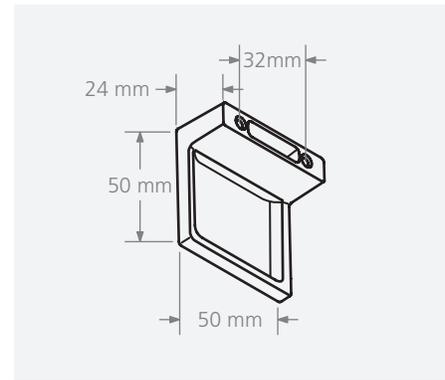
Order Nr. 59338

Matte Black \$16.00

Order Nr. 59419

Satin Nickel \$16.00

Order Nr. 59420



### Schwinn Item 2607 Knob

Material: Zamak

Environmental Information:

- Fully Recyclable
- Meets RoHS Standards
- ADA Compliant: No

26 x 26 x 20 mm

C/C 0; M4 Thread

Satin Nickel \$10.00

Order Nr. 52555

Polished Chrome \$11.00

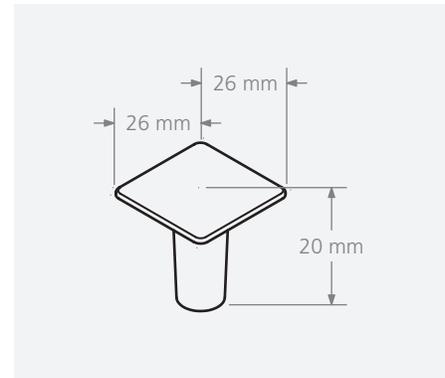
Order Nr. 59078

Matte Gold \$11.00

Order Nr. 59343

Matte Black \$10.00

Order Nr. 59344



### Schwinn Item 2022 Knob

Material: Zamak

Environmental Information:

- Fully Recyclable
- Meets RoHS Standards
- ADA Compliant: No

32 Diameter x 22 mm

C/C 0; M4 Thread

Satin Nickel \$10.00

Order Nr. 50700

Polished Chrome \$11.00

Order Nr. 50701

Dark Nickel \$11.00

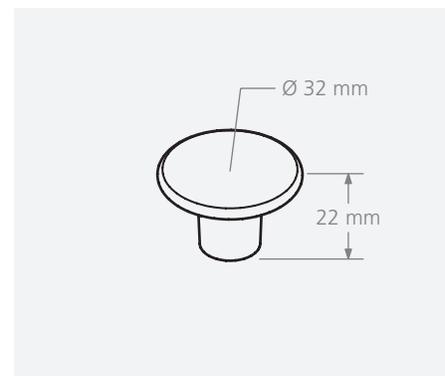
Order Nr. 59074

Matte Gold \$11.00

Order Nr. 59341

Matte Black \$10.00

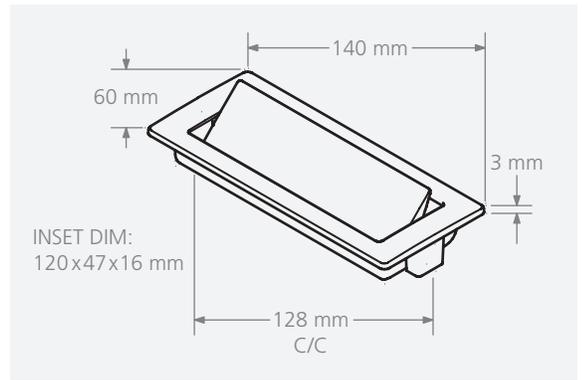
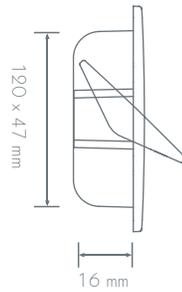
Order Nr. 59342



**Schwinn Item Z075 Covered  
Flush Pull**

Material: Zamak  
Environmental Information:  
- Fully Recyclable  
- Meets RoHS Standards  
ADA Compliant: No

140 x 60 x 3 mm	
120 x 47 x 16 mm	
C/C 128 mm; M4 Thread	
Satin Nickel	\$36.00
Order Nr. 59009	
Polished Chrome	\$34.00
Order Nr. 53355	



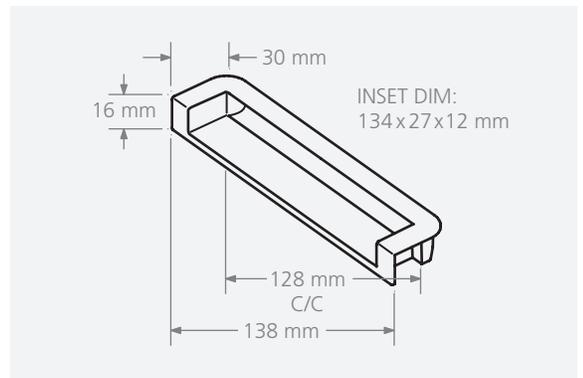
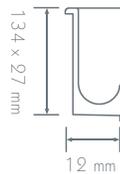
Routing templates are available at [www.schwinnhardware.com/nc/products/downloads.html](http://www.schwinnhardware.com/nc/products/downloads.html).



**Schwinn Item 2518 Recessed  
Edge Pull**

Material: Zamak  
Environmental Information:  
- Fully Recyclable  
- Meets RoHS Standards  
ADA Compliant: No

138 x 30 x 16 mm	
134 x 27 x 12 mm	
C/C 128 mm; M4 Thread	
Satin Nickel	\$19.00
Order Nr. 52288	
Polished Chrome	\$20.00
Order Nr. 52682	
Matte Chrome	\$19.00
Order Nr. 52287	
Matte Black	\$19.00
Order Nr. 59345	



Routing templates are available at [www.schwinnhardware.com/nc/products/downloads.html](http://www.schwinnhardware.com/nc/products/downloads.html).



### Schwinn Item 2578 Flush Pull

Material: Zamak

Environmental Information:

- Fully Recyclable
  - Meets RoHS Standards
- ADA Compliant: No

175 x 50 x 5 mm

166 x 44 x 16 mm

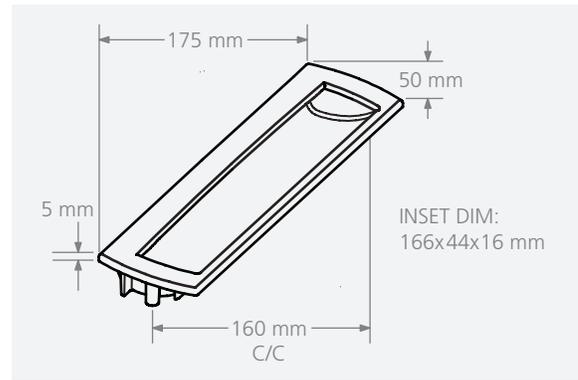
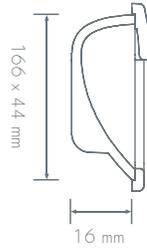
C/C 160 mm; M4 Thread

Polished Chrome \$39.00

Order Nr. 52291

Satin Nickel \$37.00

Order Nr. 52290



Routing templates are available at [www.schwinnhardware.com/nc/products/downloads.html](http://www.schwinnhardware.com/nc/products/downloads.html).



### Schwinn Item Z078 Flush Pull

Material: Zamak

Environmental Information:

- Fully Recyclable
  - Meets RoHS Standards
- ADA Compliant: No

106 x 37 x 2 mm

103 x 34 x 17 mm

C/C 96 mm; M4 Thread

Satin Nickel \$29.00

Order Nr. 53360

Polished Chrome \$29.00

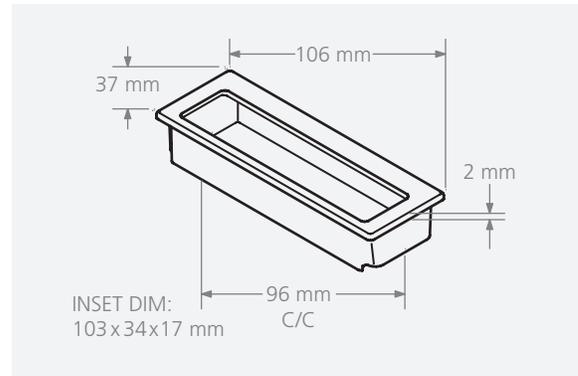
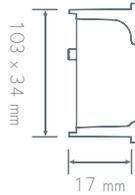
Order Nr. 53358

Satin Nickel Performance Finish \$30.00

Order Nr. 59058

Matte Black \$29.00

Order Nr. 59346



Routing templates are available at [www.schwinnhardware.com/nc/products/downloads.html](http://www.schwinnhardware.com/nc/products/downloads.html).



## Schwinn Z045 Series

Material: Zamak  
 Environmental Information:  
 - Fully Recyclable  
 - Meets RoHS Standards  
 ADA Compliant: No

### Schwinn Item Z045/64 Pull

118 x 8 x 23 mm  
 C/C 64 mm; M4 Thread

Satin Nickel	\$18.00
Order Nr. 53205	
Polished Chrome	\$21.00
Order Nr. 53203	
Matte Gold	\$19.00
Order Nr. 59422	
Matte Black	\$19.00
Order Nr. 59421	

### Schwinn Item Z045/160 Pull

234 x 8 x 23 mm  
 C/C 160 mm; M4 Thread

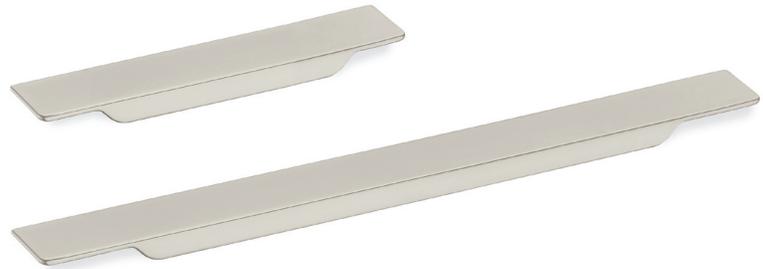
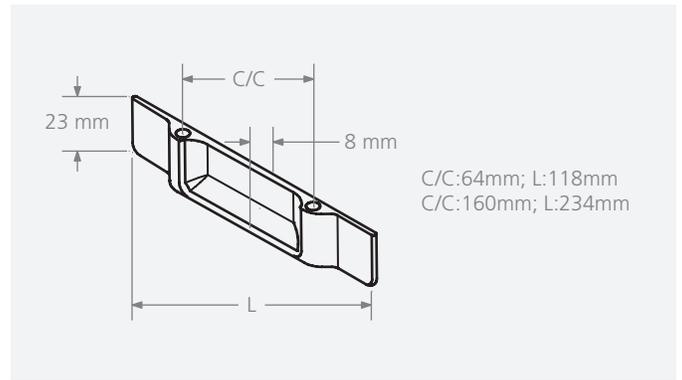
Satin Nickel	\$21.00
Order Nr. 53208	
Polished Chrome	\$22.00
Order Nr. 53206	
Matte Gold	\$21.00
Order Nr. 59424	
Matte Black	\$21.00
Order Nr. 59423	

### Schwinn Item Z273/160 Pull

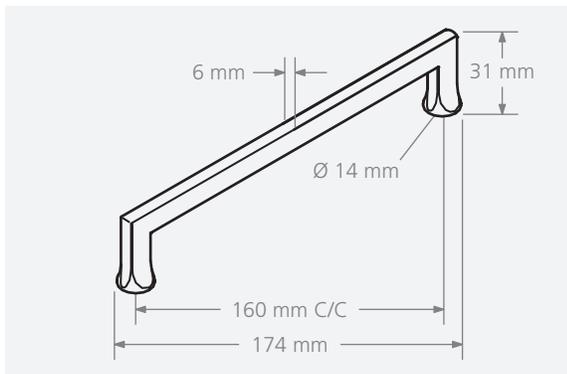
Material: Zamak  
 Environmental Information:  
 - Fully Recyclable  
 - Meets RoHS Standards  
 ADA Compliant: Yes

174 x 14 x 31 mm  
 C/C 160 mm; M4 Thread

Satin Nickel	\$13.00
Order Nr. 59383	
Polished Chrome	\$14.00
Order Nr. 54298	
Matte Gold	\$14.00
Order Nr. 59385	
Matte Black	\$12.00
Order Nr. 59384	



### Available Finishes



## Schwinn 34043 Series

Material: Steel/Zamak  
 Environmental Information:  
 - Fully Recyclable  
 - Meets RoHS Standards  
 ADA Compliant: Yes

### Schwinn Item 34043/64 Pull

73 x 9 x 28 mm  
 C/C 64 mm; M4 Thread

Matte Gold/Matte Gold	\$9.00
Order Nr. 59207	
Matte Black/Matte Black	\$8.00
Order Nr. 59208	
Matte Black/Matte Chrome	\$8.00
Order Nr. 59206	

### Schwinn Item 34043/128 Pull

137 x 9 x 28 mm  
 C/C 128 mm; M4 Thread

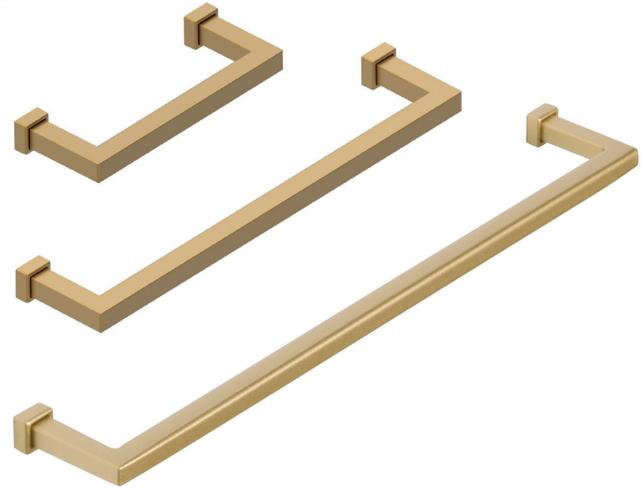
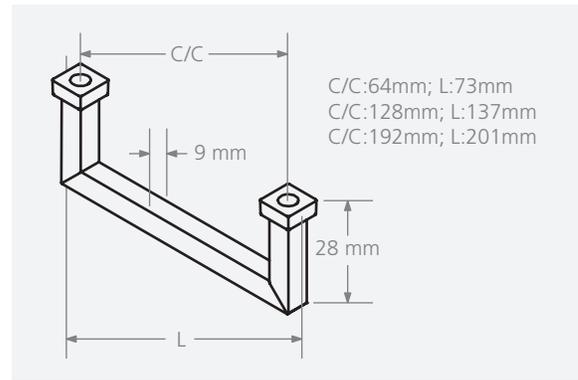
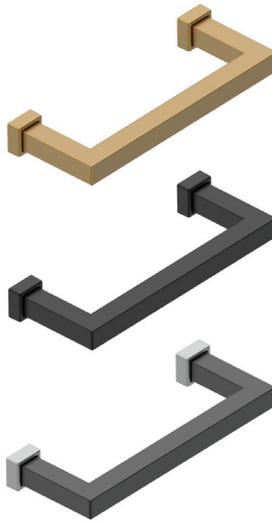
Matte Gold/Matte Gold	\$11.00
Order Nr. 59210	
Matte Black/Matte Black	\$10.00
Order Nr. 59211	
Matte Black/Matte Chrome	\$10.00
Order Nr. 59209	

### Schwinn Item 34043/192 Pull

201 x 9 x 28 mm  
 C/C 192 mm; M4 Thread

Matte Gold/Matte Gold	\$13.00
Order Nr. 59213	
Matte Black/Matte Black	\$12.00
Order Nr. 59214	
Matte Black/Matte Chrome	\$12.00
Order Nr. 59212	

### Available Finishes



## Schwinn 3756 Series

Material: Aluminum  
 Environmental Information:  
 - Fully Recyclable  
 - Meets RoHS Standards  
 ADA Compliant: No

### Schwinn Item 3756/64 Pull

84 x 20 x 20 mm  
 C/C 64 mm; M4 Thread

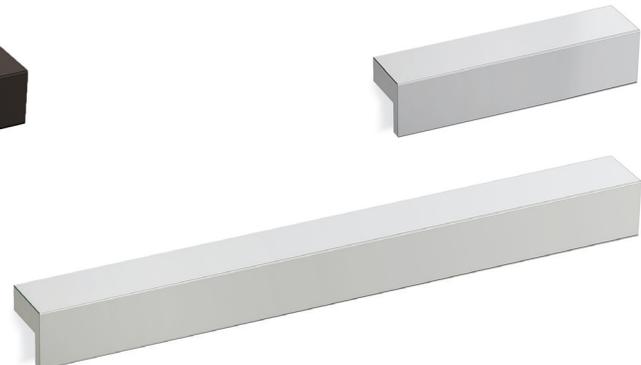
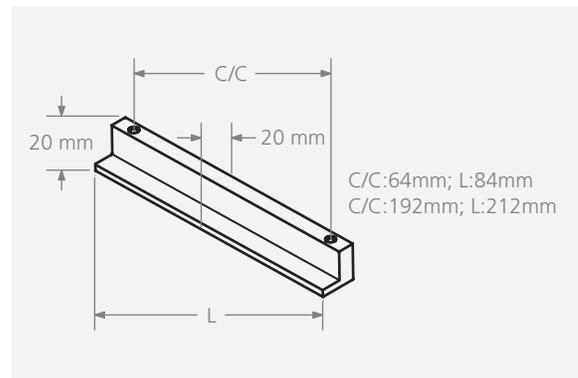
Clear Anodized	\$10.00
Order Nr. 53218	
Polished Chrome	\$11.00
Order Nr. 59085	
Matte Gold	\$12.00
Order Nr. 59351	
Matte Black	\$11.00
Order Nr. 59353	

### Schwinn Item 3756/192 Pull

212 x 20 x 20 mm  
 C/C 192 mm; M4 Thread

Clear Anodized	\$19.00
Order Nr. 53220	
Polished Chrome	\$20.00
Order Nr. 59086	
Matte Gold	\$21.00
Order Nr. 59352	
Matte Black	\$20.00
Order Nr. 59354	

### Available Finishes



## Schwinn 2891 Series

Material: Zamak  
 Environmental Information:  
 - Fully Recyclable  
 - Meets RoHS Standards  
 ADA Compliant: No

### Schwinn Item 2891/64 Pull

75 x 9 x 20 mm

C/C 64 mm; M4 Thread

Satin Nickel \$14.00

Order Nr. 53213

Satin Nickel Performance Finish \$15.00

Order Nr. 59055

Polished Chrome \$15.00

Order Nr. 53214

Matte Gold \$14.00

Order Nr. 59425

Dark Bronze \$14.00

Order Nr. 59426

Matte Black \$14.00

Order Nr. 59348

### Schwinn Item 2891/128 Pull

140 x 9 x 20 mm

C/C 128 mm; M4 Thread

Satin Nickel \$17.00

Order Nr. 52518

Satin Nickel Performance Finish \$18.00

Order Nr. 59056

Polished Chrome \$18.00

Order Nr. 52519

Matte Gold \$18.00

Order Nr. 59427

Dark Bronze \$18.00

Order Nr. 59428

Matte Black \$17.00

Order Nr. 59349

### Schwinn Item 2891/192 Pull

202 x 9 x 20 mm

C/C 192 mm; M4 Thread

Satin Nickel \$22.00

Order Nr. 53216

Satin Nickel Performance Finish \$23.00

Order Nr. 59057

Polished Chrome \$23.00

Order Nr. 53217

Matte Gold \$22.00

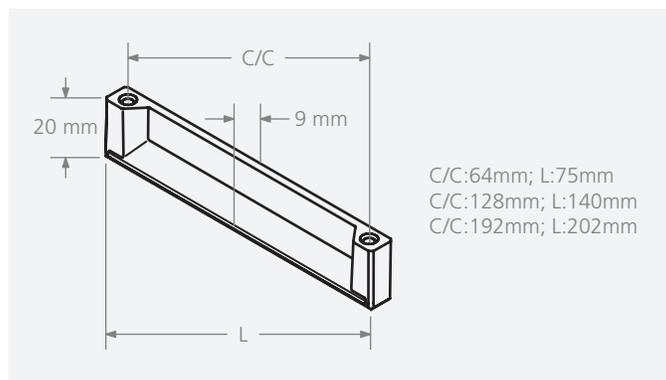
Order Nr. 59429

Dark Bronze \$22.00

Order Nr. 59430

Matte Black \$22.00

Order Nr. 59350



### Available Finishes



## Schwinn 2334 Series

Material: Zamak  
 Environmental Information:  
 - Fully Recyclable  
 - Meets RoHS Standards  
 ADA Compliant: Yes

### Schwinn Item 2334/128 Handle

138 x 10 x 30 mm

C/C 128 mm; Thread M4

Satin Nickel \$18.00

Order Nr. 51747

Satin Nickel Performance Finish \$19.00

Order Nr. 59046

Polished Chrome \$23.00

Order Nr. 51749

Dark Nickel \$20.00

Order Nr. 59096

Matte Gold \$22.00

Order Nr. 59373

Matte Black \$19.00

Order Nr. 59371

### Schwinn Item 2334/192 Handle

202 x 10 x 30 mm

C/C 192 mm; Thread M4

Satin Nickel \$21.00

Order Nr. 59180

Satin Nickel Performance Finish \$22.00

Order Nr. 59045

Polished Chrome \$25.00

Order Nr. 59181

Dark Nickel \$22.00

Order Nr. 59097

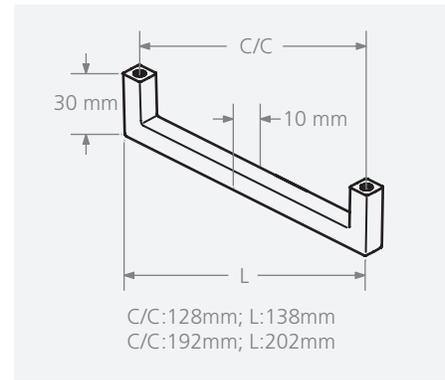
Matte Gold \$25.00

Order Nr. 59374

Matte Black \$22.00

Order Nr. 59372

## Available Finishes



## Schwinn 2548 Series

Material: Zamak  
 Environmental Information:  
 - Fully Recyclable  
 - Meets RoHS Standards  
 ADA Compliant: Yes

### Schwinn Item 2548/128 Pull

158 x 9 x 26 mm

C/C 128 mm; M4 Thread

Satin Nickel \$16.00

Order Nr. 59027

Dark Nickel \$16.00

Order Nr. 59099

Matte Gold \$17.00

Order Nr. 59431

Matte Black \$17.00

Order Nr. 59432

### Schwinn Item 2548/192 Pull

226 x 9 x 27 mm

C/C 192 mm; M4 Thread

Satin Nickel \$19.00

Order Nr. 59028

Dark Nickel \$19.00

Order Nr. 59100

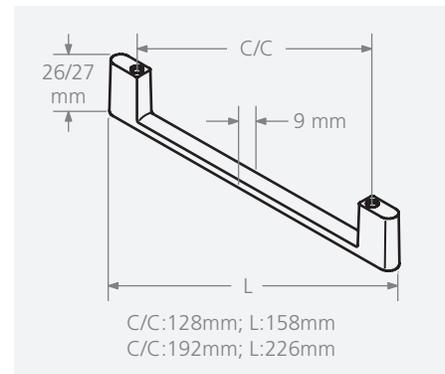
Matte Gold \$20.00

Order Nr. 59433

Matte Black \$20.00

Order Nr. 59434

## Available Finishes



## Schwinn 2389 Series

Material: Zamak  
 Environmental Information:  
 - Fully Recyclable  
 - Meets RoHS Standards  
 ADA Compliant: Yes

### Schwinn Item 2389/64 Handle

72 x 17 x 28 mm

C/C 64 mm; M4 Thread

Satin Nickel	\$14.00
Order Nr. 52834	
Dark Nickel	\$14.00
Order Nr. 59089	
Polished Chrome	\$14.00
Order Nr. 54230	
Matte Gold	\$14.00
Order Nr. 59362	
Matte Black	\$14.00
Order Nr. 59355	

### Schwinn Item 2389/128 Handle

137 x 20 x 30 mm

C/C 128 mm; M4 Thread

Satin Nickel	\$19.00
Order Nr. 51877	
Dark Nickel	\$19.00
Order Nr. 59090	
Polished Chrome	\$19.00
Order Nr. 54232	
Matte Gold	\$19.00
Order Nr. 59363	
Matte Black	\$19.00
Order Nr. 59356	

### Schwinn Item 2389/160 Handle

168 x 20 x 30 mm

C/C 160 mm; M4 Thread

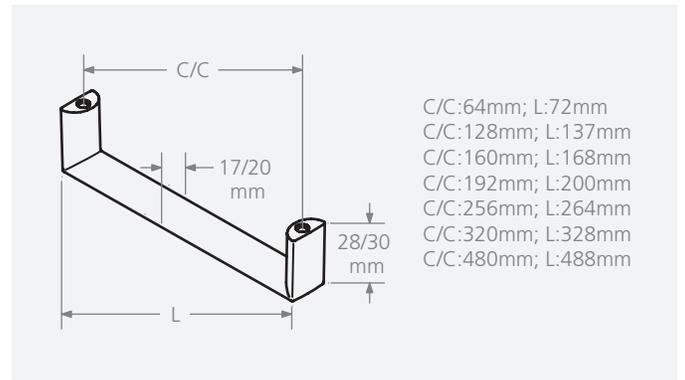
Satin Nickel	\$20.00
Order Nr. 52836	
Dark Nickel	\$20.00
Order Nr. 59091	
Polished Chrome	\$20.00
Order Nr. 54233	
Matte Gold	\$20.00
Order Nr. 59364	
Matte Black	\$20.00
Order Nr. 59357	

### Schwinn Item 2389/192 Handle

200 x 20 x 30 mm

C/C 192 mm; M4 Thread

Satin Nickel	\$22.00
Order Nr. 53172	
Dark Nickel	\$22.00
Order Nr. 59092	
Polished Chrome	\$22.00
Order Nr. 54234	
Matte Gold	\$22.00
Order Nr. 59365	
Matte Black	\$22.00
Order Nr. 59358	



### Schwinn Item 2389/256 Handle

264 x 20 x 30 mm

C/C 256 mm; M4 Thread

Satin Nickel	\$38.00
Order Nr. 52837	
Dark Nickel	\$38.00
Order Nr. 59093	
Polished Chrome	\$38.00
Order Nr. 54235	
Matte Gold	\$38.00
Order Nr. 59366	
Matte Black	\$38.00
Order Nr. 59359	

### Schwinn Item 2389/320 Handle

328 x 20 x 30 mm

C/C 320 mm; M5 Thread; Appliance Pull

Satin Nickel	\$42.00
Order Nr. 59087	
Dark Nickel	\$42.00
Order Nr. 59094	
Polished Chrome	\$42.00
Order Nr. 59369	
Matte Gold	\$42.00
Order Nr. 59367	
Matte Black	\$42.00
Order Nr. 59360	

### Schwinn Item 2389/480 Handle

488 x 20 x 30 mm

C/C 480 mm; M5 Thread; Appliance Pull

Satin Nickel	\$52.00
Order Nr. 59088	
Dark Nickel	\$52.00
Order Nr. 59095	
Polished Chrome	\$52.00
Order Nr. 59370	
Matte Gold	\$52.00
Order Nr. 59368	
Matte Black	\$52.00
Order Nr. 59361	

### Available Finishes



### Schwinn Item 2517/192 Handle

Material: Zamak/ Rubber

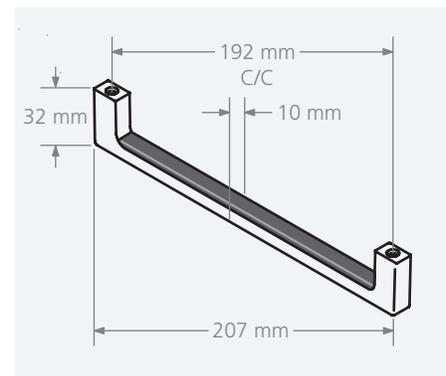
Environmental Information:

- Fully Recyclable
  - Meets RoHS Standards
- ADA Compliant: Yes

207 x 10 x 32 mm

C/C 192 mm; M4 Thread

Matte Chrome/ Black Rubber	\$20.00
Order Nr. 59019	
Polished Chrome/ Black Rubber	\$22.00
Order Nr. 59107	



## Schwinn Z306 Series

Material: Zamak  
 Environmental Information:  
 - Fully Recyclable  
 - Meets RoHS Standards  
 ADA Compliant: Yes

### Schwinn Item Z306/64 Pull

74 x 10 x 29 mm

C/C 64 mm; M4 Thread

Satin Nickel	\$10.00
--------------	---------

Order Nr. 59014

Polished Chrome	\$10.00
-----------------	---------

Order Nr. 59022

Matte Gold	\$11.00
------------	---------

Order Nr. 59016

Matte Black	\$10.00
-------------	---------

Order Nr. 59017

Dark Bronze	\$11.00
-------------	---------

Order Nr. 59015

### Schwinn Item Z306/128 Pull

138 x 10 x 30 mm

C/C 128 mm; M4 Thread

Satin Nickel	\$14.00
--------------	---------

Order Nr. 59035

Polished Chrome	\$15.00
-----------------	---------

Order Nr. 59039

Matte Gold	\$15.00
------------	---------

Order Nr. 59037

Matte Black	\$14.00
-------------	---------

Order Nr. 59038

Dark Bronze	\$15.00
-------------	---------

Order Nr. 59036

### Schwinn Item Z306/160 Pull

170 x 10 x 30 mm

C/C 160 mm; M4 Thread

Satin Nickel	\$16.00
--------------	---------

Order Nr. 59040

Polished Chrome	\$16.00
-----------------	---------

Order Nr. 59179

Matte Gold	\$17.00
------------	---------

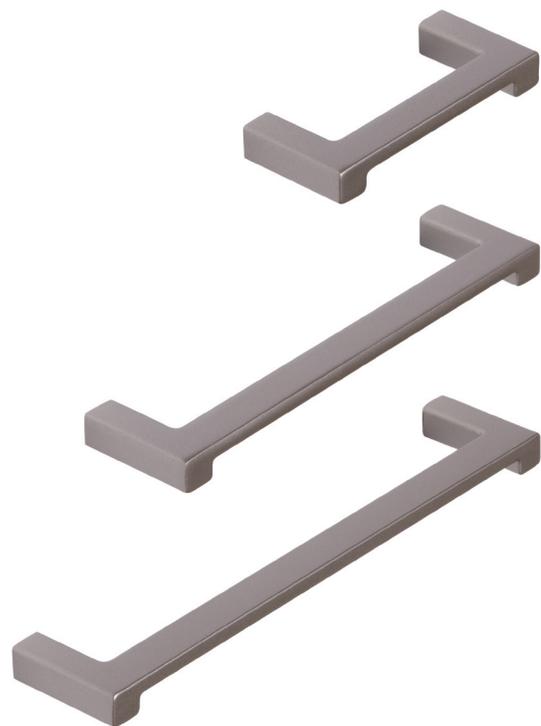
Order Nr. 59177

Matte Black	\$16.00
-------------	---------

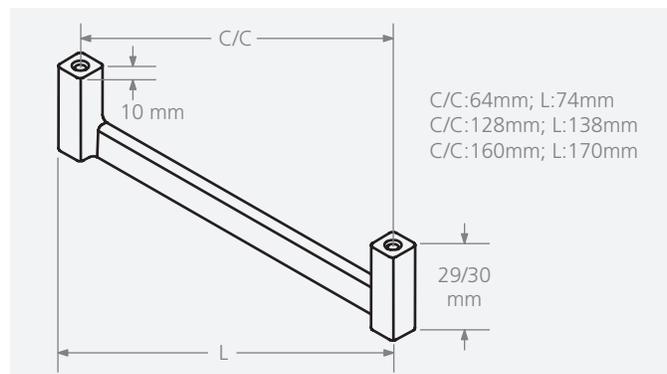
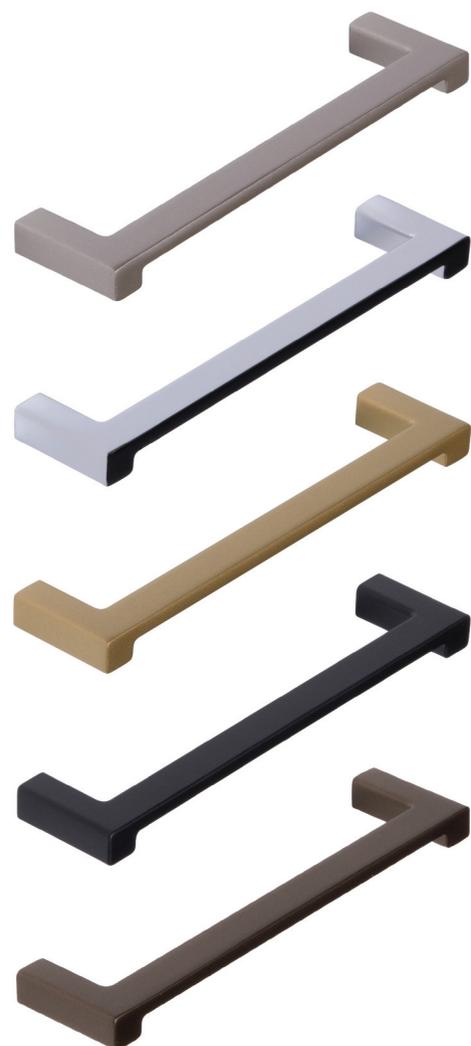
Order Nr. 59178

Dark Bronze	\$17.00
-------------	---------

Order Nr. 59042



### Available Finishes



## Schwinn Z395 Series

Material: Zamak

Environmental Information:

- Fully Recyclable
  - Meets RoHS Standards
- ADA Compliant: Yes

### Schwinn Item Z395/64 Pull

73 x 9 x 29 mm

C/C 64 mm; M4 Thread

Satin Nickel \$10.00

Order Nr. 59182

Matte Gold \$11.00

Order Nr. 59183

Matte Black \$10.00

Order Nr. 59184

Dark Bronze \$11.00

Order Nr. 59185

### Schwinn Item Z395/160 Pull

169 x 9 x 29 mm

C/C 160 mm; M4 Thread

Satin Nickel \$16.00

Order Nr. 59186

Matte Gold \$17.00

Order Nr. 59187

Matte Black \$16.00

Order Nr. 59188

Dark Bronze \$17.00

Order Nr. 59189

### Schwinn Item Z395/320 Pull

329 x 9 x 29 mm

C/C 320 mm; M6 Thread

Satin Nickel \$24.00

Order Nr. 59190

Matte Gold \$26.00

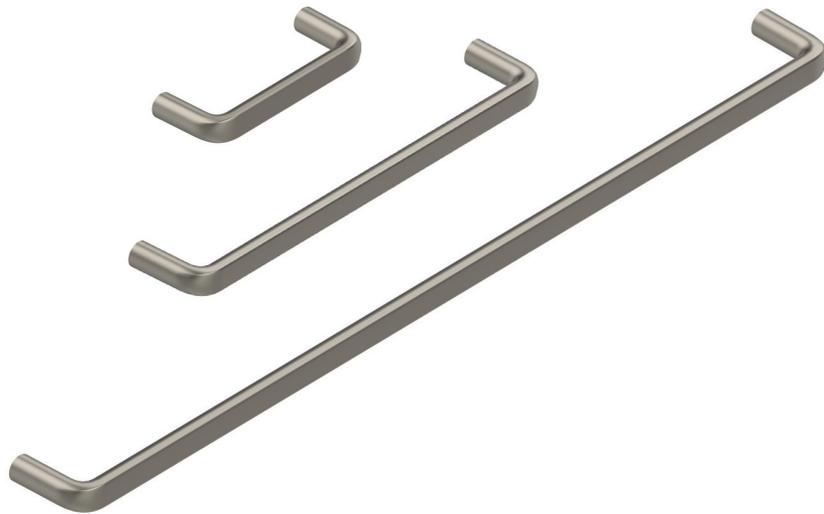
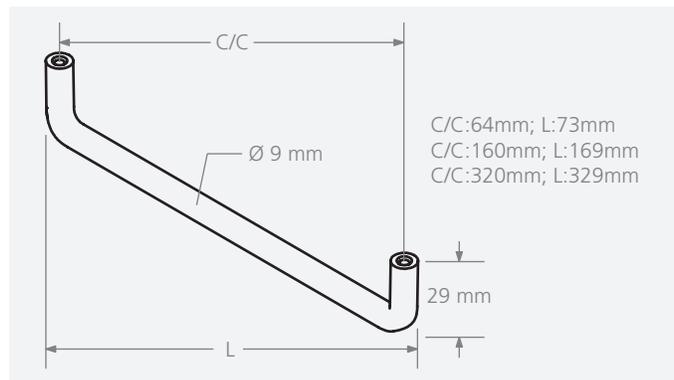
Order Nr. 59191

Matte Black \$24.00

Order Nr. 59192

Dark Bronze \$26.00

Order Nr. 59193



### Available Finishes

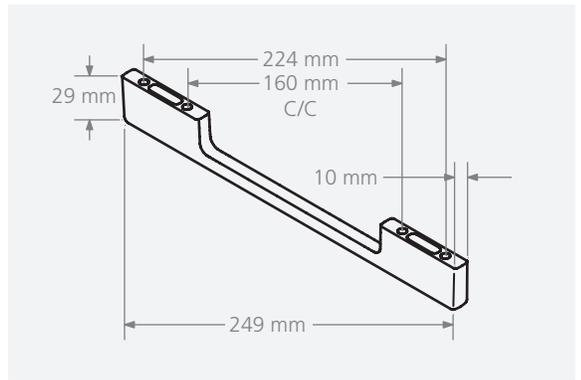


### Schwinn Item Z011/224 Handle

Material: Zamak  
 Environmental Information:  
 - Fully Recyclable  
 - Meets RoHS Standards  
 ADA Compliant: Yes

249 x 10 x 29 mm  
 C/C 160 and 224; M4 Thread

Satin Nickel	\$28.00
Order Nr. 59030	
Matte Chrome	\$28.00
Order Nr. 59031	

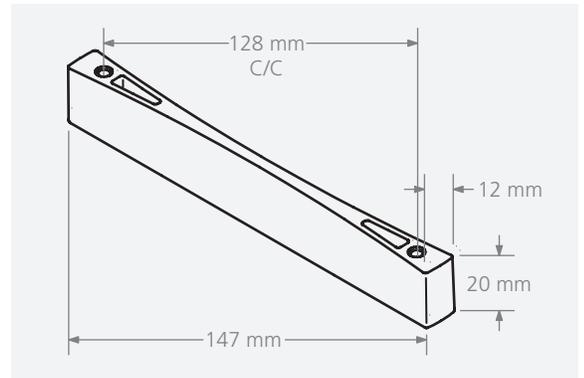


### Schwinn Item Z114/128 Pull

Material: Zamak  
 Environmental Information:  
 - Fully Recyclable  
 - Meets RoHS Standards  
 ADA Compliant: No

147 x 12 x 20 mm  
 C/C 128 mm; M4 Thread

Polished Chrome	\$21.00
Order Nr. 59110	
Satin Nickel	\$20.00
Order Nr. 59111	

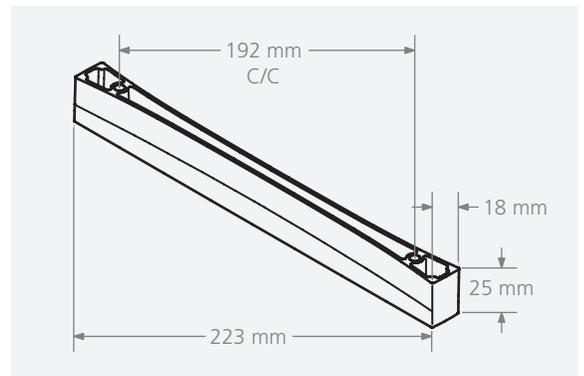


### Schwinn Item Z037/192 Pull

Material: Zamak  
 Environmental Information:  
 - Fully Recyclable  
 - Meets RoHS Standards  
 ADA Compliant: No

223 x 18 x 25 mm  
 C/C 192 mm; M4 Thread

Polished Chrome	\$34.00
Order Nr. 59010	
Satin Nickel	\$34.00
Order Nr. 59112	



### Schwinn Item Z245/64 Tab Pull

Material: Zamak

Environmental Information:

- Fully Recyclable
  - Meets RoHS Standards
- ADA Compliant: No

80 x 20 x 46 mm

C/C 64; #6 Wood Screw

Polished Chrome \$14.00

Order Nr. 59154

Matte Chrome \$14.00

Order Nr. 59155

Satin Nickel \$14.00

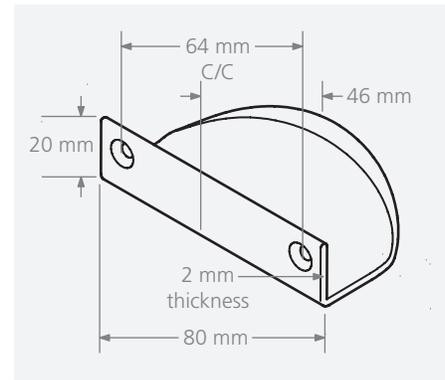
Order Nr. 59156

Matte Gold \$14.00

Order Nr. 59376

Matte Black \$14.00

Order Nr. 59375



### Schwinn Item Z167/32 Pull/Hook

Material: Zamak

Environmental Information:

- Fully Recyclable
  - Meets RoHS Standards
- ADA Compliant: No

50 x 50 x 23 mm

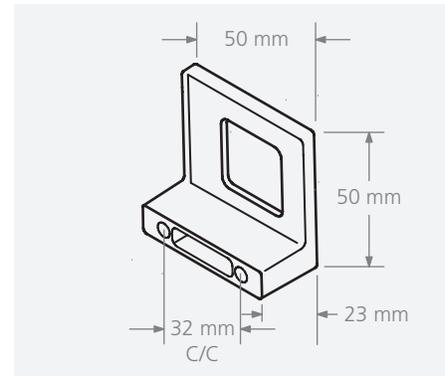
C/C 32 mm; M4 Thread

Polished Chrome \$14.00

Order Nr. 59162

Satin Nickel \$14.00

Order Nr. 59129



### Schwinn Item Z198/16 Pull/Hook

Material: Zamak

Environmental Information:

- Fully Recyclable
  - Meets RoHS Standards
- ADA Compliant: No

44 x 27 x 32 mm

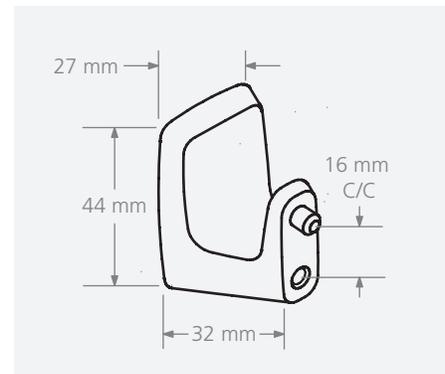
C/C 16 mm; M4 Thread

Polished Chrome \$16.00

Order Nr. 53896

Satin Nickel \$16.00

Order Nr. 59130



### Schwinn Item Z199/32 Pull

Material: Zamak  
Environmental Information:  
- Fully Recyclable  
- Meets RoHS Standards  
ADA Compliant: No

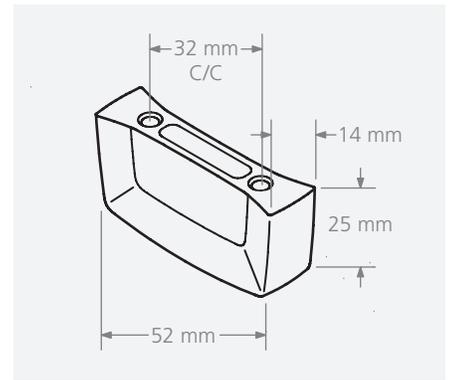
52 x 14 x 25 mm  
C/C 32 mm; M4 Thread

Polished Chrome \$11.00

Order Nr. 59139

Satin Nickel \$11.00

Order Nr. 59138



### Schwinn Item Z204/160 Handle

Material: Zamak  
Environmental Information:  
- Fully Recyclable  
- Meets RoHS Standards  
ADA Compliant: Yes

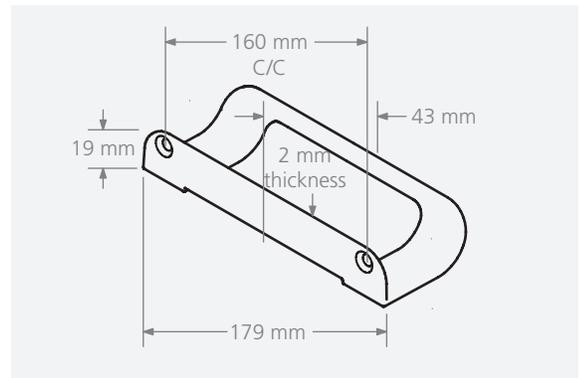
179 x 19 x 43 mm  
C/C 160 mm; #6 Wood Screw

Polished Chrome \$20.00

Order Nr. 53769

Satin Nickel \$20.00

Order Nr. 59143



## Schwinn Z240 Series

Material: Zamak

Environmental Information:

- Fully Recyclable

- Meets RoHS Standards

ADA Compliant: Yes

### Schwinn Item Z240/128 Handle

141 x 12 x 32 mm

C/C 128 mm; M4 Thread

Polished Chrome \$14.00

Order Nr. 59147

Satin Nickel \$14.00

Order Nr. 59148

Dark Nickel \$14.00

Order Nr. 59149

### Schwinn Item Z240/160 Handle

173 x 12 x 32 mm

C/C 160 mm; M4 Thread

Polished Chrome \$16.00

Order Nr. 53760

Satin Nickel \$16.00

Order Nr. 59150

Dark Nickel \$16.00

Order Nr. 59151

### Schwinn Item Z240/320 Handle

333 x 12 x 32 mm

C/C 320 mm; M4 Thread

Polished Chrome \$24.00

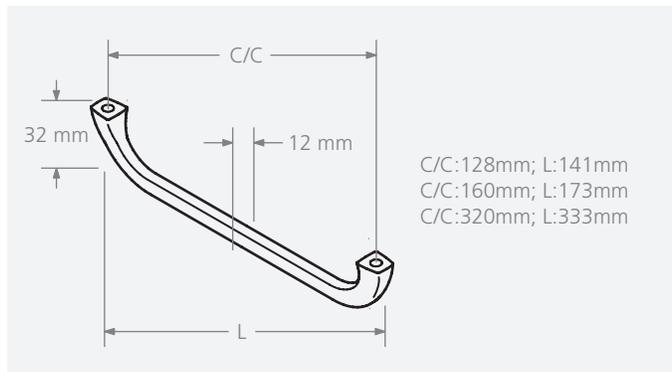
Order Nr. 53757

Satin Nickel \$24.00

Order Nr. 59152

Dark Nickel \$24.00

Order Nr. 59153



## Schwinn 2930 Series

Material: Zamak  
Environmental Information:  
- Fully Recyclable  
- Meets RoHS Standards  
ADA Compliant: Yes

### Schwinn Item 2930/96 Handle

120 x 15 x 30 mm

C/C 96 mm; M4 Thread

Polished Chrome \$12.00

Order Nr. 59160

Satin Nickel \$12.00

Order Nr. 59161

### Schwinn Item 2930/160 Handle

192 x 19 x 32 mm

C/C 160 mm; M4 Thread

Polished Chrome \$18.00

Order Nr. 53737

Satin Nickel \$18.00

Order Nr. 52358

### Schwinn Item 2930/320 Handle

350 x 19 x 32 mm

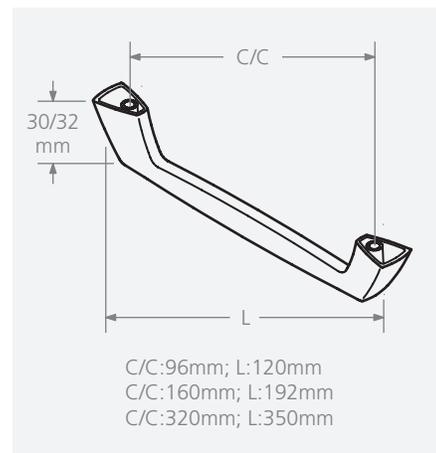
C/C 320 mm; M4 Thread

Polished Chrome \$36.00

Order Nr. 53866

Satin Nickel \$36.00

Order Nr. 59125



## Schwinn 3243 Series

Material: Stainless Steel Grade 303

Environmental Information:

- Fully Recyclable
  - Meets RoHS Standards
- ADA Compliant: Yes

### Schwinn Item 3243/128 Handle

140 x 12 x 36 mm

C/C 128 mm; M4 Thread

Brushed \$14.00

Order Nr. 51473

### Schwinn Item 3243/160 Handle

172 x 12 x 36 mm

C/C 160 mm; M4 Thread

Brushed \$15.00

Order Nr. 51474

### Schwinn Item 3243/192 Handle

204 x 12 x 36 mm

C/C 192 mm; M4 Thread

Brushed \$17.00

Order Nr. 51475

### Schwinn Item 3243/256 Handle

268 x 12 x 36 mm

C/C 256 mm; M4 Thread

Brushed \$18.00

Order Nr. 51477

### Schwinn Item 3243/320 Handle

332 x 12 x 36 mm

C/C 320 mm; M4 Thread

Brushed \$20.00

Order Nr. 51479

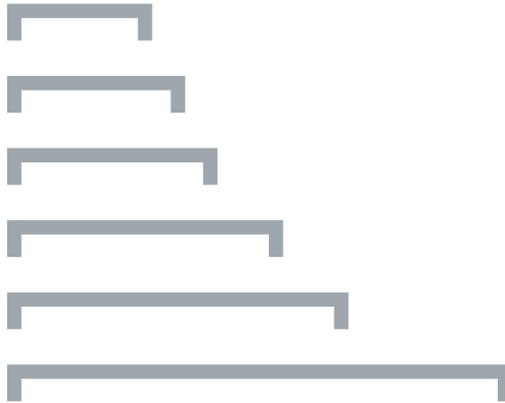
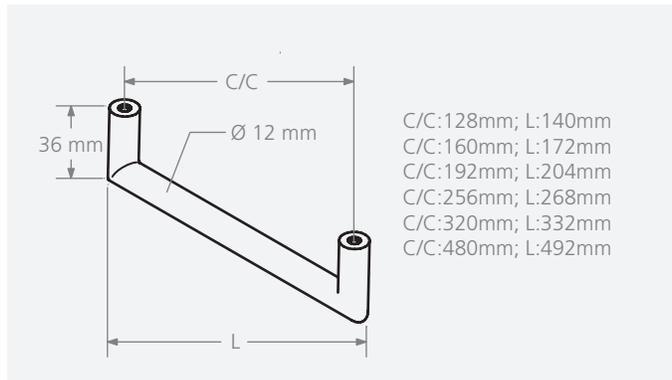
### Schwinn Item 3243/480 Handle

492 x 12 x 36 mm

C/C 480 mm; M4 Thread

Brushed \$24.00

Order Nr. 51482



## Schwinn 4588 Series

Material: Stainless Steel Grade 303

Environmental Information:

- Fully Recyclable
  - Meets RoHS Standards
- ADA Compliant: Yes

### Schwinn Item 4588/320 Handle

334 x 14 x 36 mm

C/C 320 mm; M6 Thread; Appliance Pull

Brushed \$46.00

Order Nr. 59113

### Schwinn Item 4588/480 Handle

494 x 14 x 36 mm

C/C 480 mm; M6 Thread; Appliance Pull

Brushed \$65.00

Order Nr. 59114

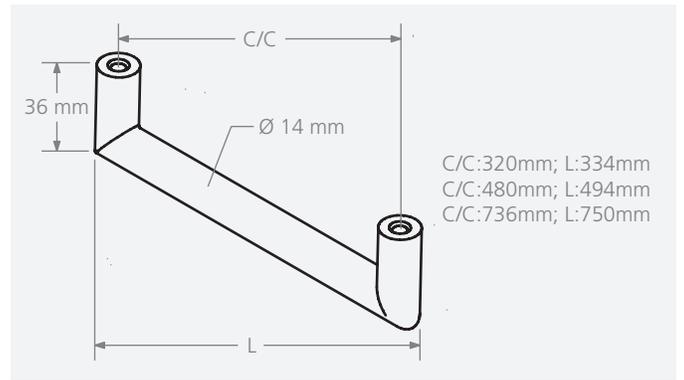
### Schwinn Item 4588/736 Handle

750 x 14 x 36 mm

C/C 736 mm; M6 Thread; Appliance Pull

Brushed \$98.00

Order Nr. 59115



## Schwinn 4135 Series

Material: Stainless Steel Grade 303

Environmental Information:

- Fully Recyclable
  - Meets RoHS Standards
- ADA Compliant: Yes

### Schwinn Item 4135/128 Handle

150 x 12 x 34 mm

C/C 128 mm; M4 Thread

Brushed \$14.00

Order Nr. 51984

### Schwinn Item 4135/160 Handle

182 x 12 x 34 mm

C/C 160 mm; M4 Thread

Brushed \$15.00

Order Nr. 51985

### Schwinn Item 4135/192 Handle

214 x 12 x 34 mm

C/C 192 mm; M4 Thread

Brushed \$16.00

Order Nr. 51986

### Schwinn Item 4135/256 Handle

278 x 12 x 34 mm

C/C 256 mm; M4 Thread

Brushed \$17.00

Order Nr. 51988

### Schwinn Item 4135/320 Handle

342 x 12 x 34 mm

C/C 320 mm; M4 Thread

Brushed \$20.00

Order Nr. 51990

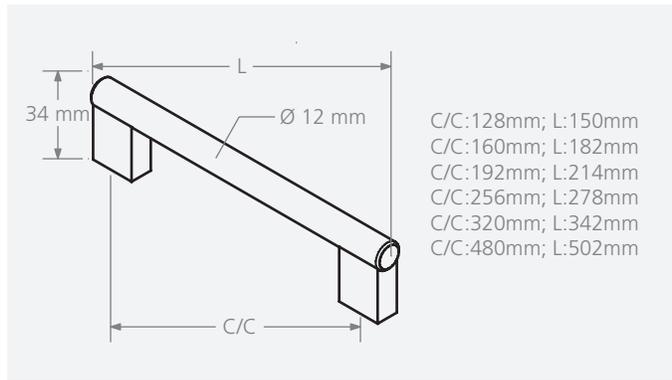
### Schwinn Item 4135/480 Handle

502 x 12 x 34 mm

C/C 480 mm; M4 Thread

Brushed \$24.00

Order Nr. 51993



## Schwinn 4587 Series

Material: Stainless Steel Grade 303

Environmental Information:

- Fully Recyclable
  - Meets RoHS Standards
- ADA Compliant: Yes

### Schwinn Item 4587/320 Handle

342 x 14 x 37 mm

C/C 320 mm; M6 Thread; Appliance Pull

Brushed \$46.00

Order Nr. 59116

### Schwinn Item 4587/480 Handle

502 x 14 x 37 mm

C/C 480 mm; M6 Thread; Appliance Pull

Brushed \$66.00

Order Nr. 59117

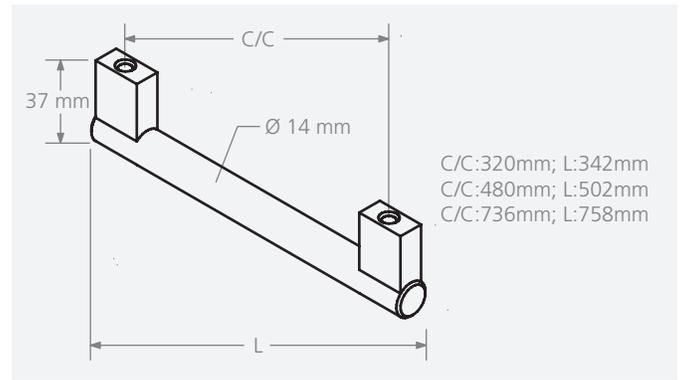
### Schwinn Item 4587/736 Handle

758 x 14 x 37 mm

C/C 736 mm; M6 Thread; Appliance Pull

Brushed \$99.00

Order Nr. 59118



## Schwinn 3289 Series

Material: Stainless Steel Grade 303

Environmental Information:

- Fully Recyclable
  - Meets RoHS Standards
- ADA Compliant: Yes

### Schwinn Item 3289/128 Handle

168 x 12 x 35 mm

C/C 128 mm; M4 Thread

Brushed \$11.00

Order Nr. 52242

### Schwinn Item 3289/160 Handle

200 x 12 x 35 mm

C/C 160 mm; M4 Thread

Brushed \$12.00

Order Nr. 52243

### Schwinn Item 3289/192 Handle

232 x 12 x 35 mm

C/C 192 mm; M4 Thread

Brushed \$13.00

Order Nr. 52244

### Schwinn Item 3289/256 Handle

296 x 12 x 35 mm

C/C 256 mm; M4 Thread

Brushed \$14.00

Order Nr. 52246

### Schwinn Item 3289/320 Handle

360 x 12 x 35 mm

C/C 320 mm; M4 Thread

Brushed \$16.00

Order Nr. 52248

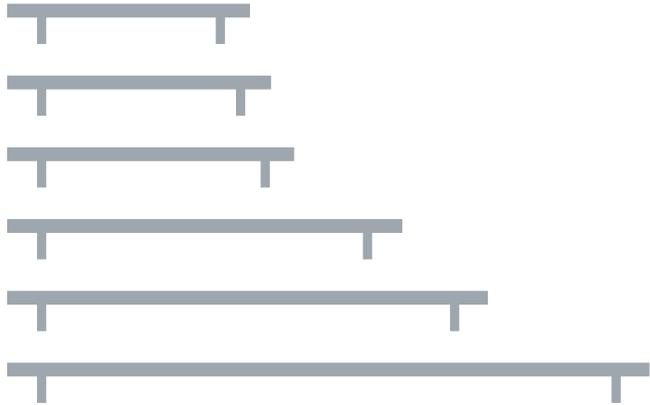
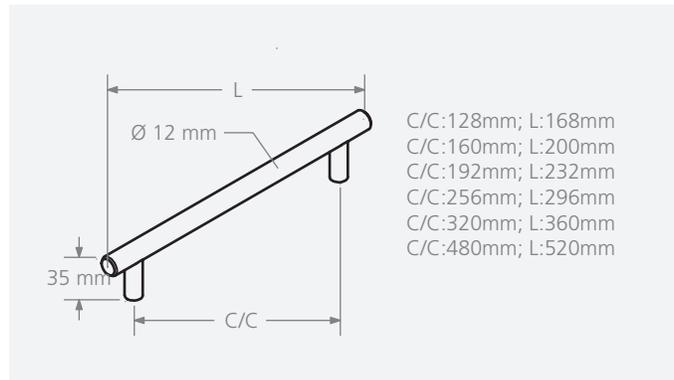
### Schwinn Item 3289/480 Handle

520 x 12 x 35 mm

C/C 480 mm; M4 Thread

Brushed \$20.00

Order Nr. 52251



## Schwinn 3343 Series

Material: Stainless Steel Grade 303  
 Environmental Information:  
 - Fully Recyclable  
 - Meets RoHS Standards  
 ADA Compliant: Yes

### Schwinn item 3343/128 Handle

144 x 16 x 40 mm  
 C/C 128 mm; M4 Thread  
 Brushed \$19.00  
 Order Nr. 52313

### Schwinn Item 3343/192 Handle

208 x 16 x 40 mm  
 C/C 192 mm; M4 Thread  
 Brushed \$21.00  
 Order Nr. 52315

### Schwinn Item 3343/256 Handle

272 x 16 x 40 mm  
 C/C 256 mm; M6 Thread; Appliance Pull  
 Brushed \$25.00  
 Order Nr. 59119

### Schwinn Item 3343/448 Handle

464 x 16 x 40 mm  
 C/C 448 mm; M6 Thread; Appliance Pull  
 Brushed \$45.00  
 Order Nr. 59120

### Schwinn Item 3343/736 Handle

752 x 16 x 40 mm  
 C/C 736 mm; M6 Thread; Appliance Pull  
 Brushed \$69.00  
 Order Nr. 59121

## Schwinn 3132 Series

Material: Stainless Steel Grade 303  
 Environmental Information:  
 - Fully Recyclable  
 - Meets RoHS Standards  
 ADA Compliant: Yes for C/C 192mm +

### Schwinn Item 3132/96 Handle

119 x 10 x 31 mm  
 C/C 96 mm; M4 Thread  
 Brushed \$7.00  
 Order Nr. 50009

### Schwinn Item 3132/128 Handle

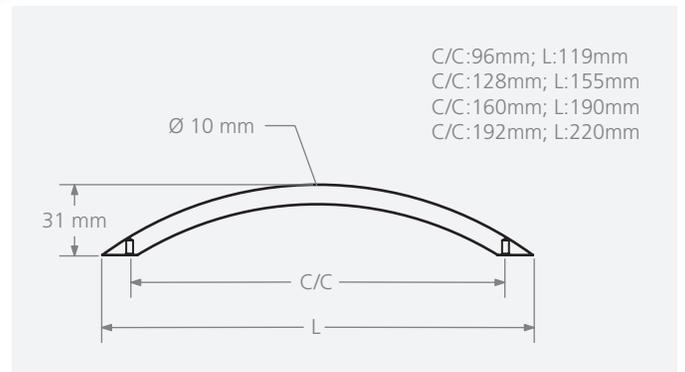
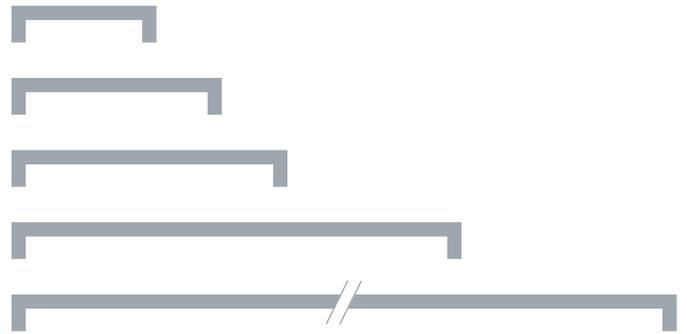
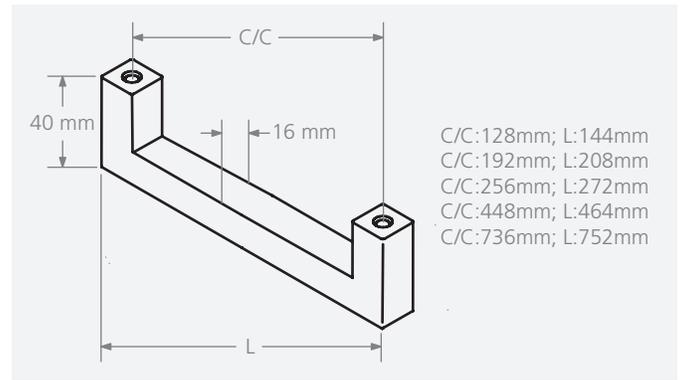
155 x 10 x 31 mm  
 C/C 128 mm; M4 Thread  
 Brushed \$8.00  
 Order Nr. 50010

### Schwinn Item 3132/160 Handle

190 x 10 x 31 mm  
 C/C 160 mm; M4 Thread  
 Brushed \$9.00  
 Order Nr. 50011

### Schwinn Item 3132/192 Handle

220 x 10 x 31 mm  
 C/C 192 mm; M4 Thread  
 Brushed \$10.00  
 Order Nr. 50012



## Schwinn 3958 Series

Material: Stainless Steel Grade 303

Environmental Information:

- Fully Recyclable
- Meets RoHS Standards

ADA Compliant: Yes

### Schwinn Item 3958/128 Handle

150 x 12 x 34 mm

C/C 128 mm; M4 Thread

Knurled \$18.00

Order Nr. 54350

### Schwinn Item 3958/160 Handle

182 x 12 x 34 mm

C/C 160 mm; M4 Thread

Knurled \$19.00

Order Nr. 54351

### Schwinn Item 3958/192 Handle

214 x 12 x 34 mm

C/C 192 mm; M4 Thread

Knurled \$21.00

Order Nr. 54352

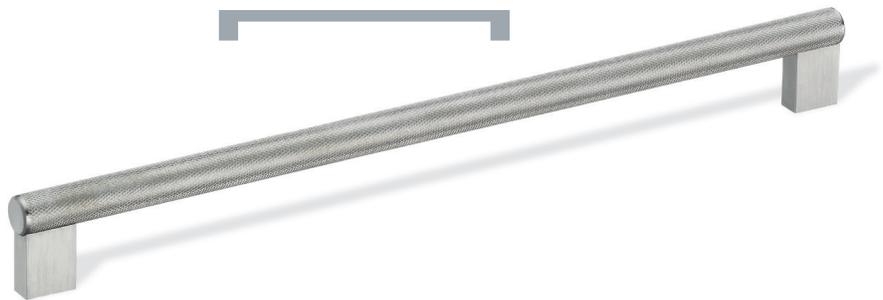
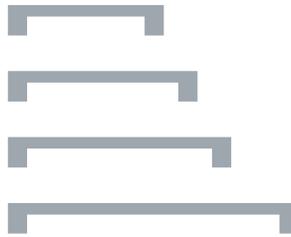
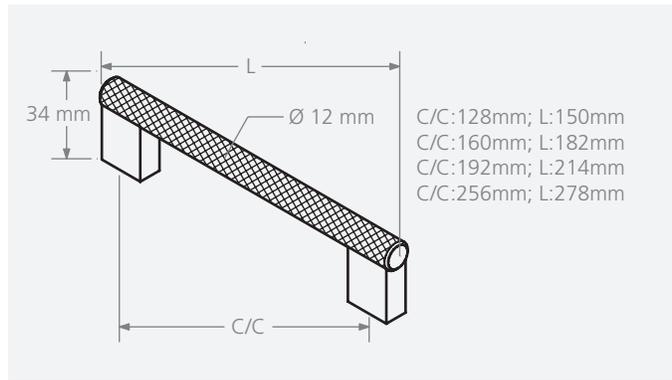
### Schwinn Item 3958/256 Handle

278 x 12 x 34 mm

C/C 256 mm; M4 Thread

Knurled \$24.00

Order Nr. 59400



## Schwinn 3956 Series

Material: Stainless Steel Grade 303

Environmental Information:

- Fully Recyclable
- Meets RoHS Standards

ADA Compliant: Yes

### Schwinn Item 3956/320 Handle

342 x 14 x 37 mm

C/C 320 mm; M6 Thread; Appliance Pull

Knurled \$52.00

Order Nr. 59401

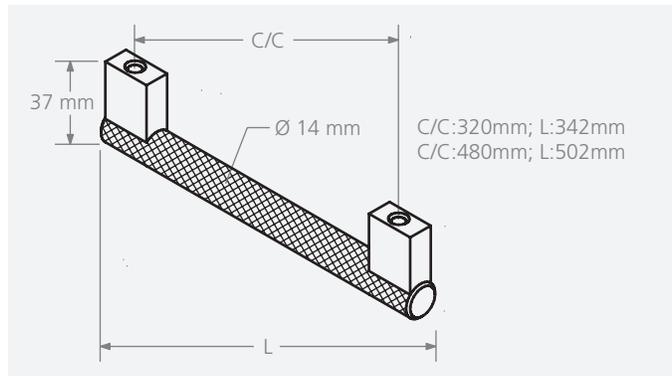
### Schwinn Item 3956/480 Handle

502 x 14 x 37 mm

C/C 480 mm; M6 Thread; Appliance Pull

Knurled \$69.00

Order Nr. 59402



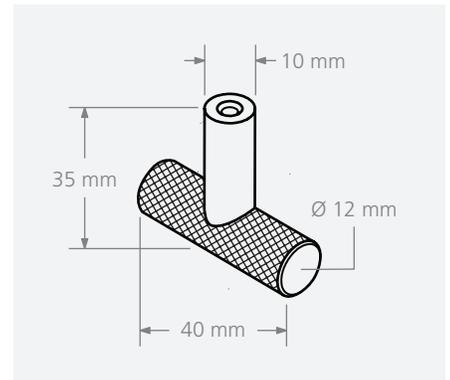
## Schwinn 33998 Series

Material: Stainless Steel Grade 303, Aluminum  
 Environmental Information:  
 - Fully Recyclable  
 - Meets RoHS Standards  
 ADA Compliant: Yes

### Schwinn Item 33998 Knob

40 x 12 x 35 mm C/C 0; M4 Thread	
Stainless Steel	\$14.00
Order Nr. 59405	
Matte Gold	\$14.00
Order Nr. 59215	
Matte Black	\$14.00
Order Nr. 59216	
Dark Bronze	\$14.00
Order Nr. 59217	

## Available Finishes



### Schwinn Item 33998/64 Handle

104 x 12 x 35 mm C/C 64 mm; M4 Thread	
Matte Gold	\$16.00
Order Nr. 59218	
Matte Black	\$16.00
Order Nr. 59219	
Dark Bronze	\$16.00
Order Nr. 59220	

### Schwinn Item 33998/128 Handle

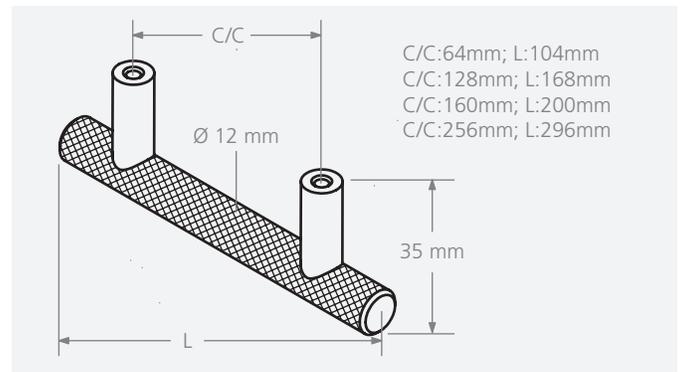
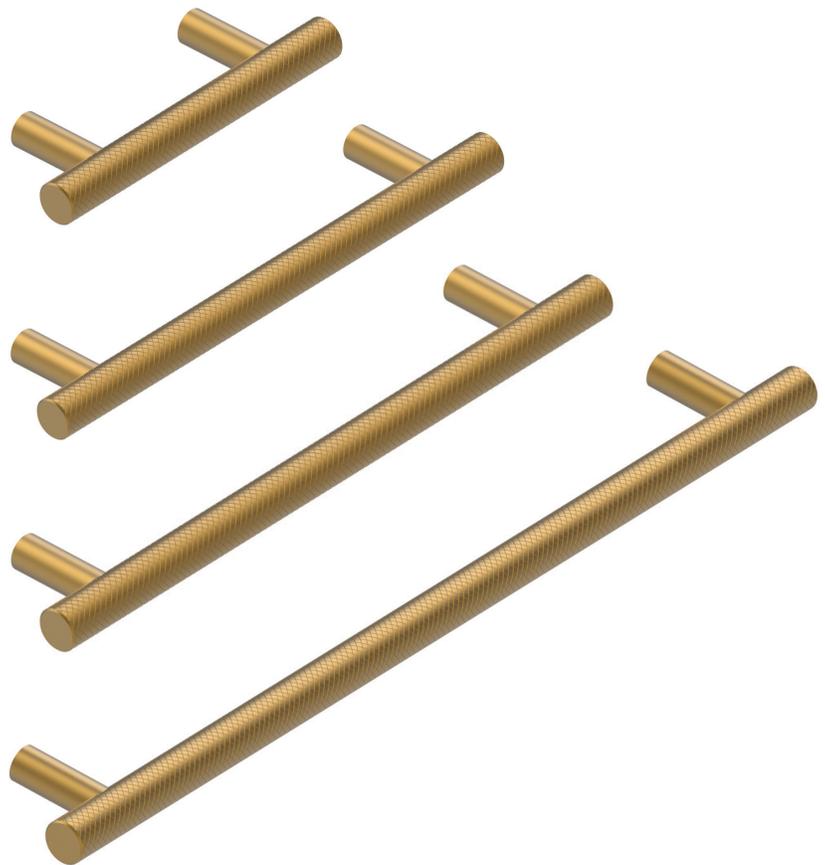
168 x 12 x 35 mm C/C 128 mm; M4 Thread	
Matte Gold	\$18.00
Order Nr. 59221	
Matte Black	\$18.00
Order Nr. 59222	
Dark Bronze	\$18.00
Order Nr. 59223	

### Schwinn Item 33998/160 Handle

200 x 12 x 35 mm C/C 160 mm; M4 Thread	
Matte Gold	\$20.00
Order Nr. 59224	
Matte Black	\$20.00
Order Nr. 59225	
Dark Bronze	\$20.00
Order Nr. 59226	

### Schwinn Item 33998/256 Handle

296 x 12 x 35 mm C/C 256 mm; M5 Thread	
Matte Gold	\$30.00
Order Nr. 59227	
Matte Black	\$30.00
Order Nr. 59228	
Dark Bronze	\$30.00
Order Nr. 59229	



## Schwinn 44702 Series

Material: Aluminum/Zamak  
 Environmental Information:  
 - Fully Recyclable  
 - Meets RoHS Standards  
 ADA Compliant: Yes

### Schwinn Item 44702/64 Pull

80 x 16 x 40 mm

C/C 64 mm; M4 Thread

Matte Gold \$14.00

Order Nr. 59196

Matte Black \$14.00

Order Nr. 59194

Dark Bronze \$14.00

Order Nr. 59195

### Schwinn Item 44702/128 Pull

144 x 16 x 40 mm

C/C 128 mm; M4 Thread

Matte Gold \$18.00

Order Nr. 59199

Matte Black \$18.00

Order Nr. 59197

Dark Bronze \$18.00

Order Nr. 59198

### Schwinn Item 44702/160 Pull

176 x 16 x 40 mm

C/C 160 mm; M4 Thread

Matte Gold \$22.00

Order Nr. 59202

Matte Black \$22.00

Order Nr. 59200

Dark Bronze \$22.00

Order Nr. 59201

### Schwinn Item 44702/256 Pull

272 x 16 x 40 mm

C/C 256 mm; M5 Thread

Matte Gold \$26.00

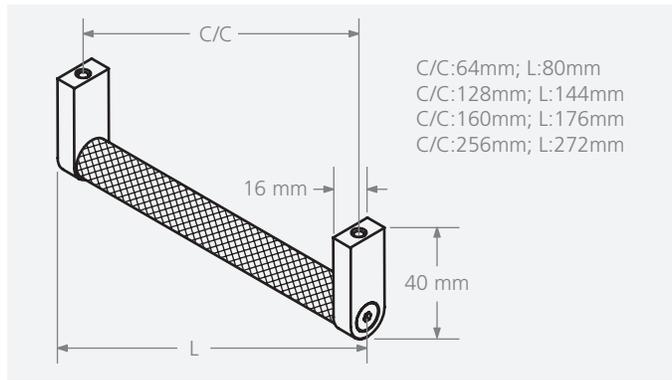
Order Nr. 59205

Matte Black \$26.00

Order Nr. 59203

Dark Bronze \$26.00

Order Nr. 59204



### Available Finishes



## Schwinn 4537 Series

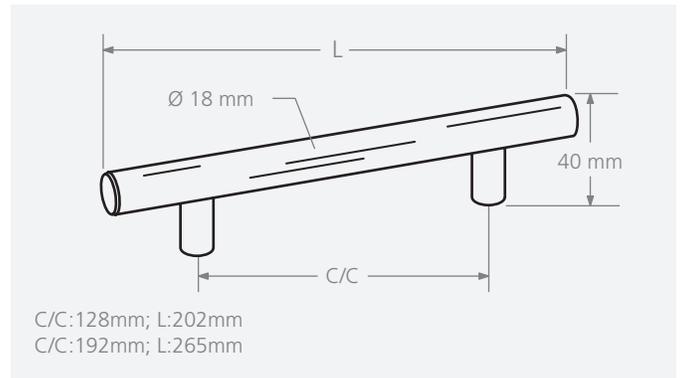
Material: Stainless Steel, Glass  
Environmental Information:  
- Fully Recyclable  
- Meets RoHS Standards  
ADA Compliant: Yes

### Schwinn Item 4537/128 Handle

202 x 18 x 40 mm  
C/C 128 mm; M4 Thread  
Brushed, Clear \$40.00  
Order Nr. 51515

### Schwinn Item 4537/192 Handle

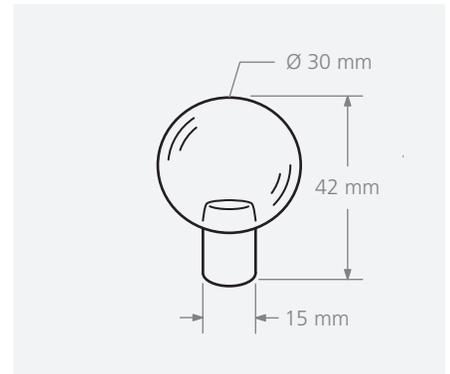
265 x 18 x 40 mm  
Brushed, Clear \$46.00  
Order Nr. 59404



### Schwinn Item 4452 Knob

Material: Stainless Steel, Glass  
Environmental Information:  
- Fully Recyclable  
- Meets RoHS Standards  
ADA Compliant: No

30 x 42 mm  
C/C 0; M4 Thread  
Brushed, Clear \$18.00  
Order Nr. 51948



### Schwinn Item Z326/160 Pull

Material: Zamak/Leather

Environmental Information:

- Fully Recyclable
  - Meets RoHS Standards
- ADA Compliant: Yes

212 x 30 x 24 mm, M4 Thread

C/C 160mm, M4 Thread

Polished Chrome/Black Leather \$17.00

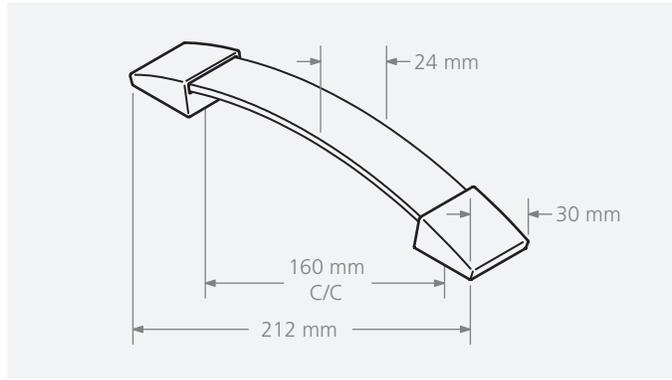
Order Nr. 59389

Satin Nickel/Brown Leather \$17.00

Order Nr. 59390

Matte Black/Black Leather \$16.00

Order Nr. 59388



### Schwinn Item Z221/16 Pull

Material: Zamak/Leather

Environmental Information:

- Fully Recyclable
  - Meets RoHS Standards
- ADA Compliant: Yes

26 x 11 x 71 mm, M4 Thread

C/C 16mm

Polished Chrome/Black Leather \$14.00

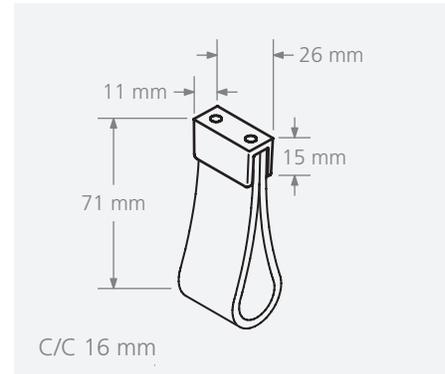
Order Nr. 54401

Satin Nickel/Brown Leather \$14.00

Order Nr. 59387

Matte Black/Black Leather \$13.00

Order Nr. 59386

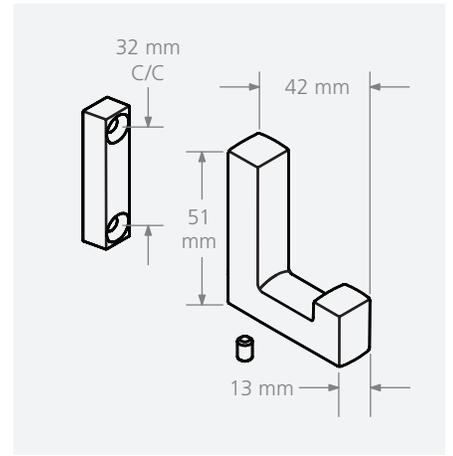
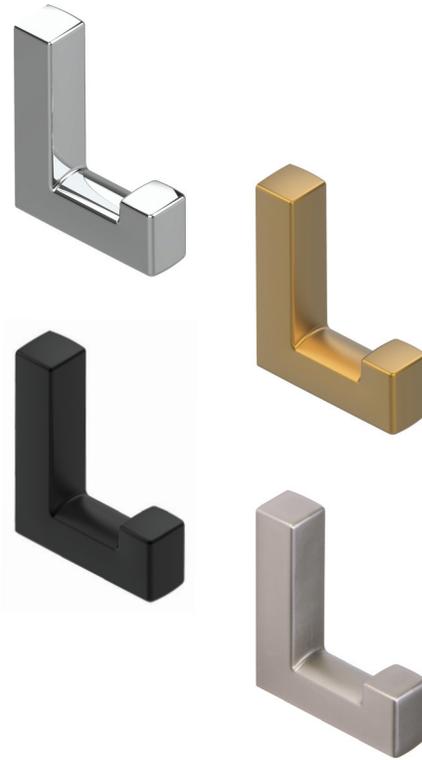


### Schwinn Item Z390 Hook

Material: Zamak  
 Environmental Information:  
 - Fully Recyclable  
 - Meets RoHS Standards

13 x 51 x 42 mm  
 C/C 32; Countersunk for #8 Screw Head  
 Mounting Type: Concealed  
 Load Capacity: 44 lb  
 Provided Hardware: None

Polished Chrome	\$14.00
Order Nr. 59411	
Matte Gold	\$15.00
Order Nr. 59413	
Matte Black	\$14.00
Order Nr. 59414	
Satin Nickel	\$14.00
Order Nr. 59412	

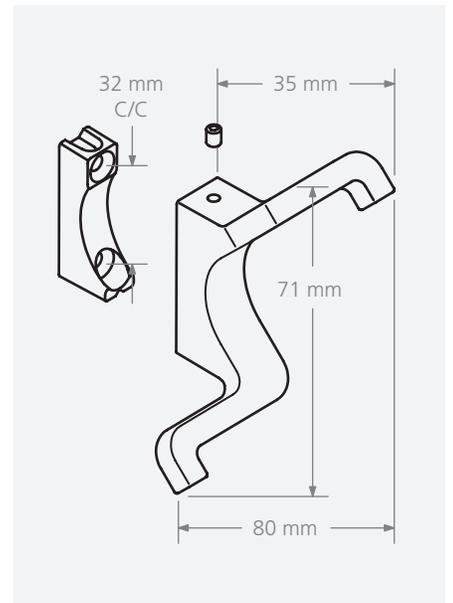


### Schwinn Item Z337 Hook

Material: Zamak  
 Environmental Information:  
 - Fully Recyclable  
 - Meets RoHS Standards

80 x 71 x 35 mm  
 C/C 32 mm; Countersunk for #8 Screw Head  
 Mounting Type: Concealed  
 Load Capacity: 44 lb  
 Provided Hardware: None

Polished Chrome	\$15.00
Order Nr. 59395	
Satin Nickel	\$15.00
Order Nr. 59396	
Matte Black	\$15.00
Order Nr. 59406	



### Schwinn Item Z327 Hook

Material: Zamak

Environmental Information:

- Fully Recyclable
- Meets RoHS Standards

58 x 65 x 27 mm

C/C 20 mm; Countersunk for #8 Screw Head

Mounting Type: Concealed

Load Capacity: 44 lb

Provided Hardware: None

Polished Chrome \$14.00

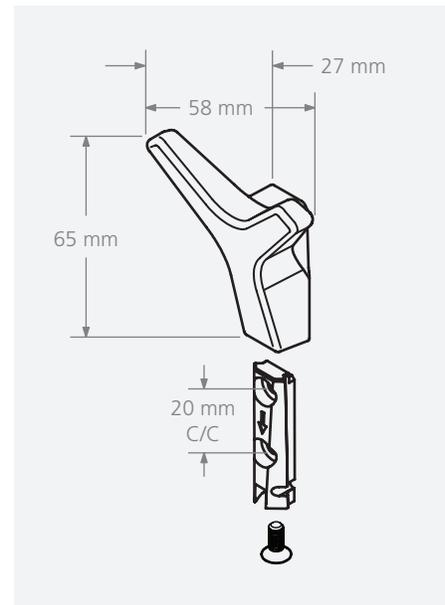
Order Nr. 59397

Satin Nickel \$14.00

Order Nr. 59399

Matte Black \$14.00

Order Nr. 59398



### Schwinn Item Z313 Hook

Material: Zamak

Environmental Information:

- Fully Recyclable
- Meets RoHS Standards

50 x 50 x 41 mm

C/C 20 mm; Countersunk for #8 Screw Head

Mounting Type: Concealed

Load Capacity: 44 lb

Provided Hardware: None

Polished Chrome \$16.00

Order Nr. 59391

Satin Nickel \$16.00

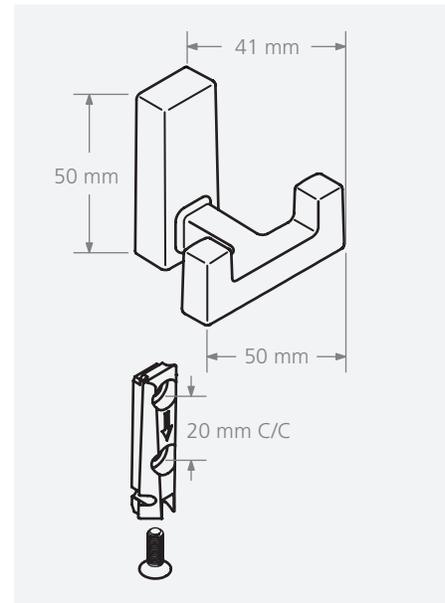
Order Nr. 59393

Matte Gold \$17.00

Order Nr. 59394

Matte Black \$16.00

Order Nr. 59392



### Schwinn Item 88908 Hook Rack

Material: Painted MDF

400 x 80 x 16 mm

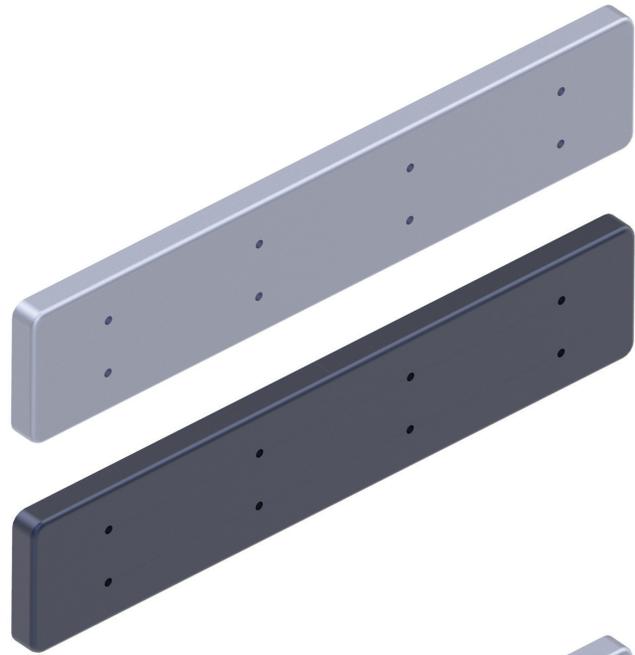
Mounting Type: Concealed

Load Capacity: 55 lb

Provided Hardware: 8 Hook Mounting Screws,  
2 Anchors, 2 Hook Screws

For use with 4 hooks each: Schwinn Item Z390,  
Z337 (C/C 32 mm).

Silver	\$12.00
Order Nr. 59436	
Anthracite	\$12.00
Order Nr. 59435	



### Schwinn Item 88947 Hook Rack

Material: Painted MDF

400 x 80 x 16 mm

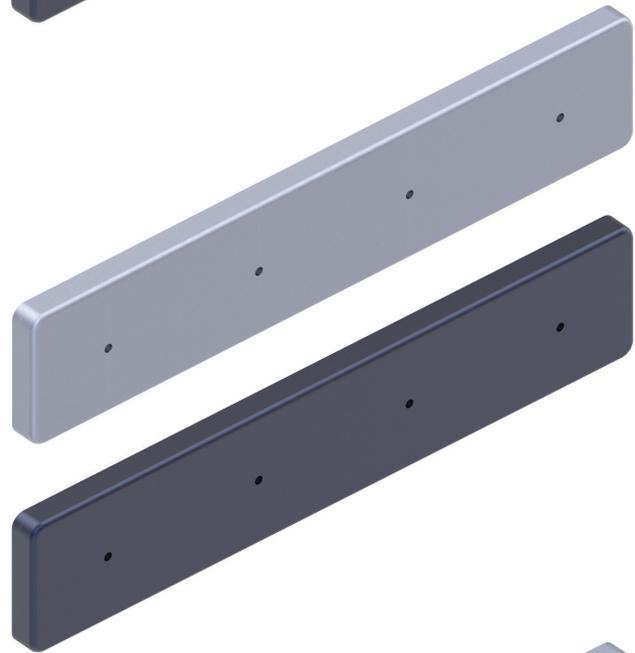
Mounting Type: Concealed

Load Capacity: 55 lb

Provided Hardware: 4 Hook Mounting Screws,  
2 Anchors, 2 Hook Screws

For use with 4 hooks each: Schwinn Items  
4410, 2022, 4452, 33906, 88939, 88940 or  
88941 (single hole).

Silver	\$12.00
Order Nr. 59438	
Anthracite	\$12.00
Order Nr. 59437	



### Schwinn Item 88948 Hook Rack

Material: Painted MDF

400 x 80 x 16 mm

Mounting Type: Concealed

Load Capacity: 55 lb

Provided Hardware: 8 Hook Mounting Screws,  
2 Anchors, 2 Hook Screws

For use with 4 hooks each: Schwinn Items Z327,  
Z313, Z2354, Z2360 and 44683 (C/C 20 mm).

Silver	\$12.00
Order Nr. 59440	
Anthracite	\$12.00
Order Nr. 59439	



## Schwinn 4410 Series

Material: Stainless Steel Grade 303  
 Environmental Information:  
 - Fully Recyclable  
 - Meets RoHS Standards

### Schwinn Item 4410-26 Hook

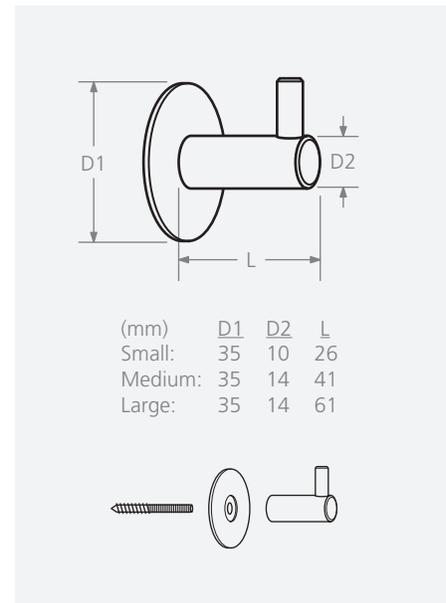
35 x 10 x 26 mm  
 C/C 0; M4 Thread  
 Mounting Type: Concealed  
 Load Capacity: 33 lb  
 Provided Hardware: Mounting Screw  
 Brushed \$8.00  
 Order Nr. 53651

### Schwinn Item 4410-41 Hook

35 x 14 x 41 mm  
 C/C 0; M4 Thread  
 Mounting Type: Concealed  
 Load Capacity: 33 lb  
 Provided Hardware: Mounting Screw  
 Brushed \$10.00  
 Order Nr. 53652

### Schwinn Item 4410-61 Hook

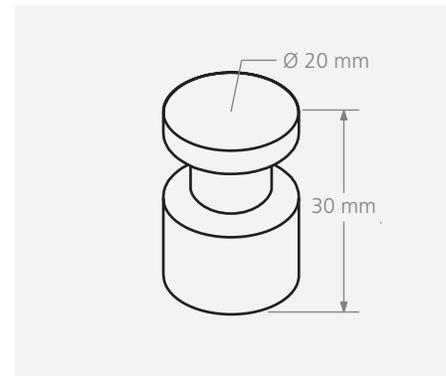
35 x 14 x 61 mm  
 C/C 0; M4 Thread  
 Mounting Type: Concealed  
 Load Capacity: 33 lb  
 Provided Hardware: Mounting Screw  
 Brushed \$12.00  
 Order Nr. 53653



## Schwinn Item 33906 Hook

Material: Steel  
 Environmental Information:  
 - Fully Recyclable  
 - Meets RoHS Standards

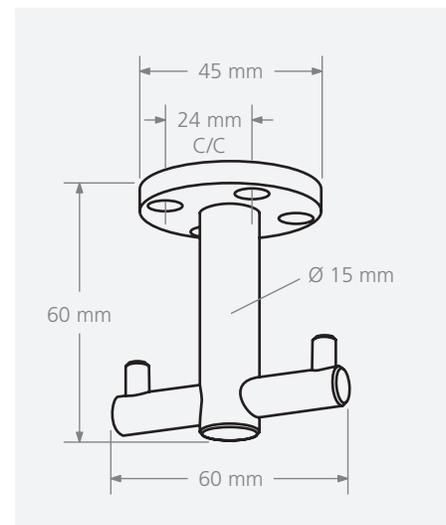
20 x 30 mm  
 C/C 0; M6 Thread  
 Mounting Type: Concealed  
 Load Capacity: 33 lb  
 Provided Hardware: Mounting Screw  
 Polished Chrome \$10.00  
 Order Nr. 59415  
 Matte Gold \$10.00  
 Order Nr. 59417  
 Matte Black \$10.00  
 Order Nr. 59418  
 Satin Nickel \$10.00  
 Order Nr. 59416



## Schwinn Item 3796 Swiveling Under-Mount Hook

Material: Stainless Steel Grade 303  
 Environmental Information:  
 - Fully Recyclable  
 - Meets RoHS Standards

60 x 45 x 60 mm  
 C/C 24 mm; Countersunk for #8 Screw Head  
 Load Capacity: 55 lb  
 Provided Hardware: None  
 Brushed \$26.00  
 Order Nr. 53436



## Schwinn 4398 Series

### 2-Piece Circular Cable Grommet

Material: Zamak  
 Cable Grip: Rubber Star Cut  
 Cap Fit: Twist Lock  
 Environmental Information:  
 - Fully Recyclable

#### Schwinn Item 4398 Small Grommet

56 x 15 mm (2 7/32 x 9/16 in)

Hole: 50 mm (2 in)

Polished Chrome \$7.00

Order Nr. 53468

Matte Chrome \$7.00

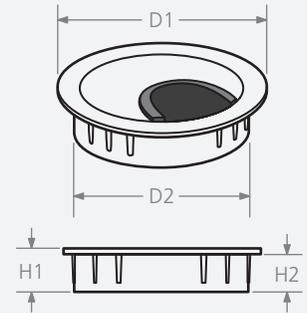
Order Nr. 53469

Satin Nickel \$7.00

Order Nr. 59164

Matte Black \$7.00

Order Nr. 59332



(mm)	D1	D2	H1	H2
Small:	56	50	15	13
Medium:	68	60	15	13
Large:	90	80	15	13

INSET DIM:  
 Ø 50/60/80 x 13 mm

#### Schwinn Item 4398 Medium Grommet

68 x 15 mm (2 5/8 x 9/16 in)

Hole: 60 mm (2 3/8 in)

Polished Chrome \$9.00

Order Nr. 53471

Matte Chrome \$9.00

Order Nr. 53472

Satin Nickel \$9.00

Order Nr. 59167

Matte Black \$9.00

Order Nr. 59333



#### Schwinn Item 4398 Large Grommet

90 x 15 mm (3 1/2 x 9/16 in)

Hole: 80 mm (3 5/32 in)

Polished Chrome \$10.00

Order Nr. 53474

Matte Chrome \$10.00

Order Nr. 53475

Satin Nickel \$10.00

Order Nr. 59131

Matte Black \$10.00

Order Nr. 59334



## Schwinn 3766 Series

Material: Aluminum

Environmental Information:

- Fully Recyclable

- Meets RoHS Standards

ADA Compliant: No

### Schwinn Item 3766/96 Tab Pull

224 x 19.5 x 38 mm

C/C 96 mm; #6 Wood Screw

Clear Anodized \$11.00

Order Nr. 59299

Nickel Color \$12.00

Order Nr. 59307

Dark Bronze \$12.00

Order Nr. 59315

Black \$12.00

Order Nr. 59323

Polished Chrome \$13.00

Order Nr. 59003

### Schwinn Item 3766/160 Tab Pull

300 x 19.5 x 38 mm

C/C 160 mm; #6 Wood Screw

Clear Anodized \$15.00

Order Nr. 59300

Nickel Color \$16.00

Order Nr. 59308

Dark Bronze \$16.00

Order Nr. 59316

Black \$16.00

Order Nr. 59324

Polished Chrome \$17.00

Order Nr. 59004

### Schwinn Item 3766/256 Tab Pull

376 x 19.5 x 38 mm

C/C 256 mm; #6 Wood Screw

Clear Anodized \$19.00

Order Nr. 59301

Nickel Color \$20.00

Order Nr. 59309

Dark Bronze \$20.00

Order Nr. 59317

Black \$20.00

Order Nr. 59325

Polished Chrome \$21.00

Order Nr. 59005

### Schwinn Item 3766/320 Tab Pull

452 x 19.5 x 38 mm

C/C 320 mm; #6 Wood Screw

Clear Anodized \$25.00

Order Nr. 59302

Nickel Color \$26.00

Order Nr. 59310

Dark Bronze \$26.00

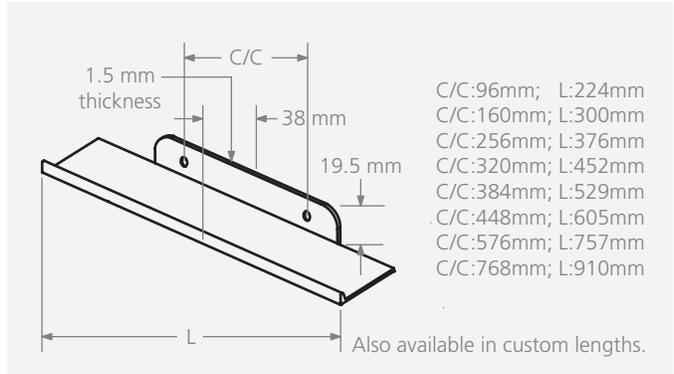
Order Nr. 59318

Black \$26.00

Order Nr. 59326

Polished Chrome \$27.00

Order Nr. 59006



### Full Length Tab Pulls Sizes

Cabinet Size (in)	Drawer Door (in)	Pull Length (mm)
9	8 7/8	224
12	11 7/8	300
15	14 7/8	376
18	17 7/8	452
21	20 7/8	529
24	23 7/8	605
30	29 7/8	757
36	35 7/8	910

### Schwinn Item 3766/384 Tab Pull

529 x 19.5 x 38 mm

C/C 384 mm; #6 Wood Screw

Clear Anodized	\$29.00
Order Nr. 59303	
Nickel Color	\$30.00
Order Nr. 59311	
Dark Bronze	\$30.00
Order Nr. 59319	
Black	\$30.00
Order Nr. 59327	
Polished Chrome	\$32.00
Order Nr. 59441	

### Schwinn Item 3766/448 Tab Pull

605 x 19.5 x 38 mm

C/C 448 mm; #6 Wood Screw

Clear Anodized	\$36.00
Order Nr. 59304	
Nickel Color	\$38.00
Order Nr. 59312	
Dark Bronze	\$38.00
Order Nr. 59320	
Black	\$38.00
Order Nr. 59328	
Polished Chrome	\$40.00
Order Nr. 59007	

### Schwinn Item 3766/576 Tab Pull

757 x 19.5 x 38 mm

C/C 576 mm; #6 Wood Screw

Clear Anodized	\$40.00
Order Nr. 59305	
Nickel Color	\$42.00
Order Nr. 59313	
Dark Bronze	\$42.00
Order Nr. 59321	
Black	\$42.00
Order Nr. 59329	
Polished Chrome	\$44.00
Order Nr. 59011	

### Schwinn Item 3766/768 Tab Pull

910 x 19.5 x 38 mm

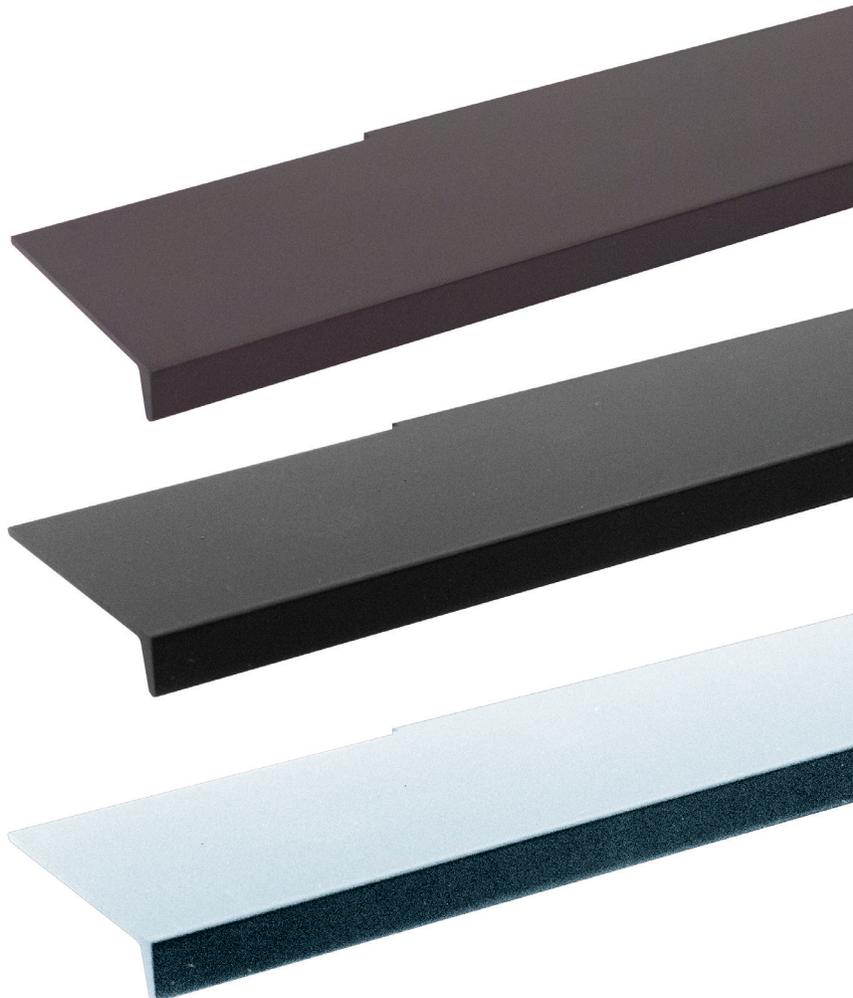
C/C 768 mm; #6 Wood Screw

Clear Anodized	\$50.00
Order Nr. 59306	
Nickel Color	\$52.00
Order Nr. 59314	
Dark Bronze	\$52.00
Order Nr. 59322	
Black	\$52.00
Order Nr. 59330	
Polished Chrome	\$54.00
Order Nr. 59012	

### Schwinn Item 3766 Custom Lengths\*

Each of the 8 in-stock lengths can be cut to a custom length up to 2 inches shorter than the stock length. Turnaround time for custom lengths is 2 business days. A one-time customization charge of \$60.00 applies per order. (\*Polished Chrome tab pulls can not be cut to size.)

One-Time Customization Charge	\$60.00
Order Nr. 59331	



## Schwinn Handle-Free Cabinet Hardware CS3 Series

Material: Aluminum

Environmental Information:

- Fully Recyclable
  - Meets RoHS Standards
- ADA Compliant: No

### Schwinn Item 33913-290 C-Channel

2.9 meters x 72.5 mm x 26 mm

Clear Anodized	\$45.00
Order Nr. 59240	
Nickel Color	\$51.00
Order Nr. 59241	
Dark Bronze	\$51.00
Order Nr. 59242	
Black	\$51.00
Order Nr. 59243	



### Schwinn Item 33914-290 L-Channel

2.9 meters x 56.5 mm x 26 mm

Clear Anodized	\$36.00
Order Nr. 59244	
Nickel Color	\$42.00
Order Nr. 59245	
Dark Bronze	\$42.00
Order Nr. 59246	
Black	\$42.00
Order Nr. 59247	



### Schwinn Item 33915-290 Vertical Channel

2.9 meters x 67 mm x 42 mm

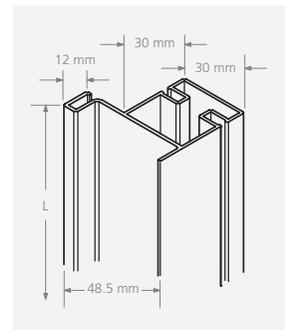
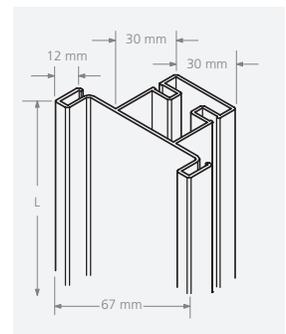
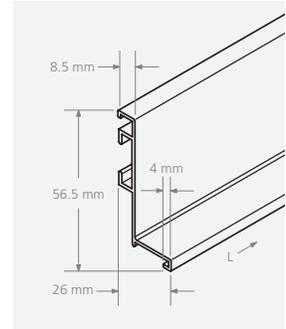
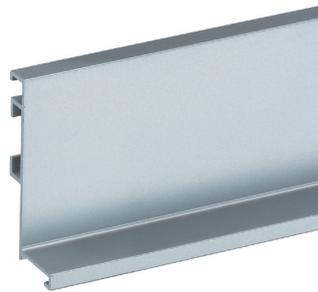
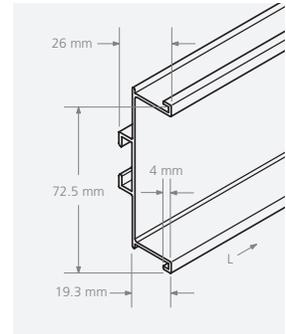
Clear Anodized	\$68.00
Order Nr. 59248	
Nickel Color	\$78.00
Order Nr. 59249	
Dark Bronze	\$78.00
Order Nr. 59250	
Black	\$78.00
Order Nr. 59251	



### Schwinn Item 33916-290 Vertical End Channel

2.9 meters x 48.5 mm x 42 mm

Clear Anodized	\$60.00
Order Nr. 59252	
Nickel Color	\$68.00
Order Nr. 59253	
Dark Bronze	\$68.00
Order Nr. 59254	
Black	\$68.00
Order Nr. 59255	

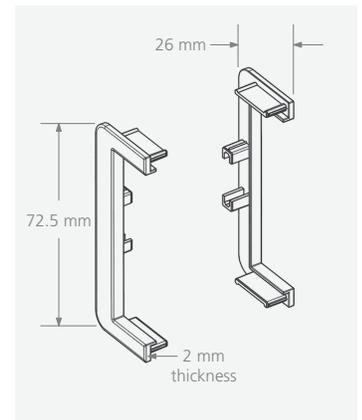


### Schwinn Item 6K379

#### C Cap (L+R)

72.5 x 26 x 2 mm

Silver (matches Clear Anodized)	\$1.00
Order Nr. 59276	
Nickel Color	\$1.00
Order Nr. 59277	
Dark Bronze	\$1.00
Order Nr. 59278	
Black	\$1.00
Order Nr. 59279	

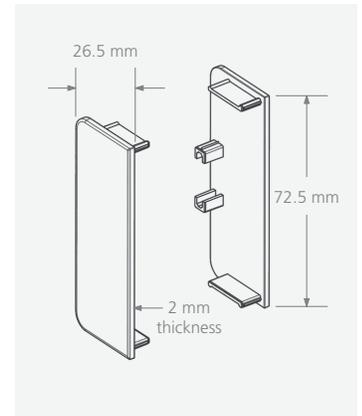


### Schwinn Item 6K378

#### C Cap Rectangle (L+R)

72.5 x 26.5 x 2 mm

Silver (matches Clear Anodized)	\$1.00
Order Nr. 59272	
Nickel Color	\$1.00
Order Nr. 59273	
Dark Bronze	\$1.00
Order Nr. 59274	
Black	\$1.00
Order Nr. 59275	

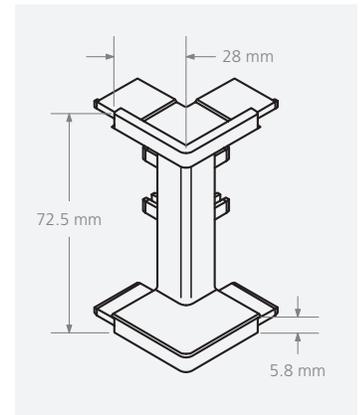


### Schwinn Item 6K400-C

#### Outer Corner

72.5 x 28 x 28 mm

Silver (matches Clear Anodized)	\$1.50
Order Nr. 59288	
Nickel Color	\$1.50
Order Nr. 59289	
Dark Bronze	\$1.50
Order Nr. 59290	
Black	\$1.50
Order Nr. 59291	

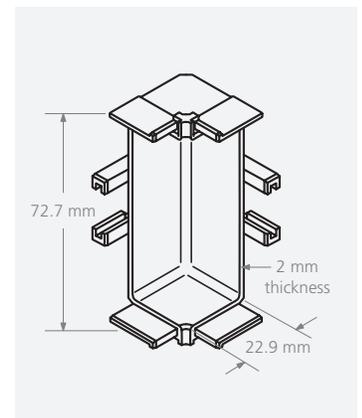


### Schwinn Item 6K399-C

#### Inner Corner

72.7 x 22.9 x 27.4 mm

Silver (matches Clear Anodized)	\$1.50
Order Nr. 59280	
Nickel Color	\$1.50
Order Nr. 59281	
Dark Bronze	\$1.50
Order Nr. 59282	
Black	\$1.50
Order Nr. 59283	



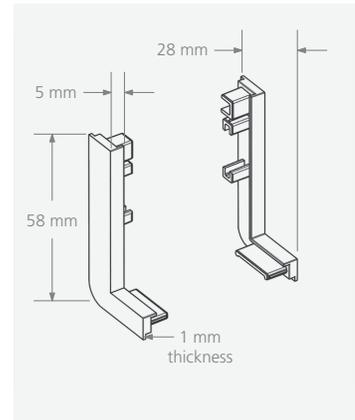
CAD drawings available on request.

### Schwinn Item 6K376

#### L Cap Left

58 x 28 x 1 mm

Silver (matches Clear Anodized)	\$1.00
Order Nr. 59256	
Nickel Color	\$1.00
Order Nr. 59257	
Dark Bronze	\$1.00
Order Nr. 59258	
Black	\$1.00
Order Nr. 59259	



### Schwinn Item 6K376

#### L Cap Right

58 x 28 x 1 mm

Silver (matches Clear Anodized)	\$1.00
Order Nr. 59260	
Nickel Color	\$1.00
Order Nr. 59261	
Dark Bronze	\$1.00
Order Nr. 59262	
Black	\$1.00
Order Nr. 59263	

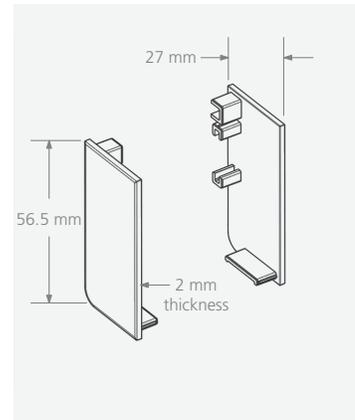


### Schwinn Item 6K377

#### L Cap Rectangle Left

56.5 x 27 x 2 mm

Silver (matches Clear Anodized)	\$1.00
Order Nr. 59264	
Nickel Color	\$1.00
Order Nr. 59265	
Dark Bronze	\$1.00
Order Nr. 59266	
Black	\$1.00
Order Nr. 59267	



### Schwinn Item 6K377

#### L Cap Rectangle Right

56.5 x 27 x 2 mm

Silver (matches Clear Anodized)	\$1.00
Order Nr. 59268	
Nickel Color	\$1.00
Order Nr. 59269	
Dark Bronze	\$1.00
Order Nr. 59270	
Black	\$1.00
Order Nr. 59271	



Go to [www.schwinnhardware.com/nc/products/downloads.html](http://www.schwinnhardware.com/nc/products/downloads.html) to download video.

### Schwinn Item 6K400-L

#### Outer Corner

56.5 x 28 x 28 mm

Silver (matches Clear Anodized) \$1.50

Order Nr. 59292

Nickel Color \$1.50

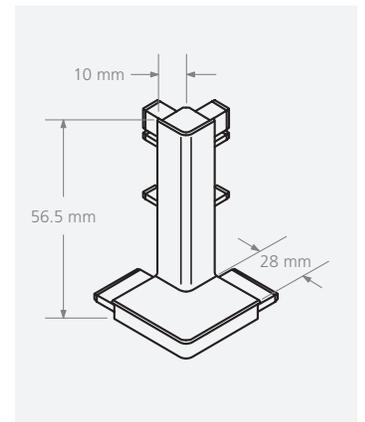
Order Nr. 59293

Dark Bronze \$1.50

Order Nr. 59294

Black \$1.50

Order Nr. 59295



### Schwinn Item 6K399-L

#### Inner Corner

56.6 x 28.5 x 28.5 mm

Silver (matches Clear Anodized) \$1.50

Order Nr. 59284

Nickel Color \$1.50

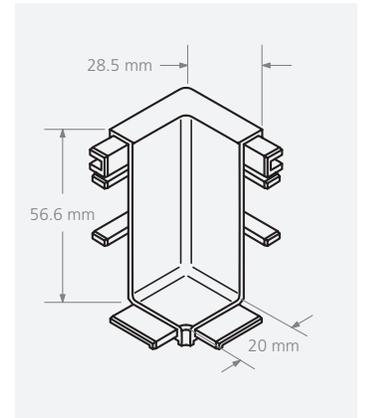
Order Nr. 59285

Dark Bronze \$1.50

Order Nr. 59286

Black \$1.50

Order Nr. 59287



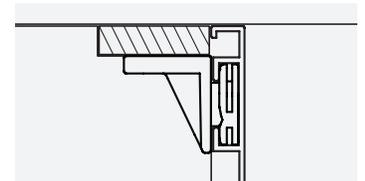
### Schwinn Item 6K136

#### Corner Bracket

Use with L and C Channel  
C/C 16 mm; #6 Wood Screw

Light Gray \$1.00

Order Nr. 59298



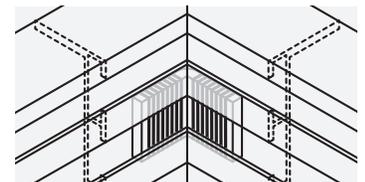
### Schwinn Item 6K350

#### 90 Degree Connector

Use with L and C Channel

Light Gray \$1.00

Order Nr. 59297



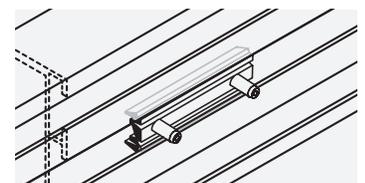
### Schwinn Item 6K351

#### Straight Bracket

Use with L and C Channel

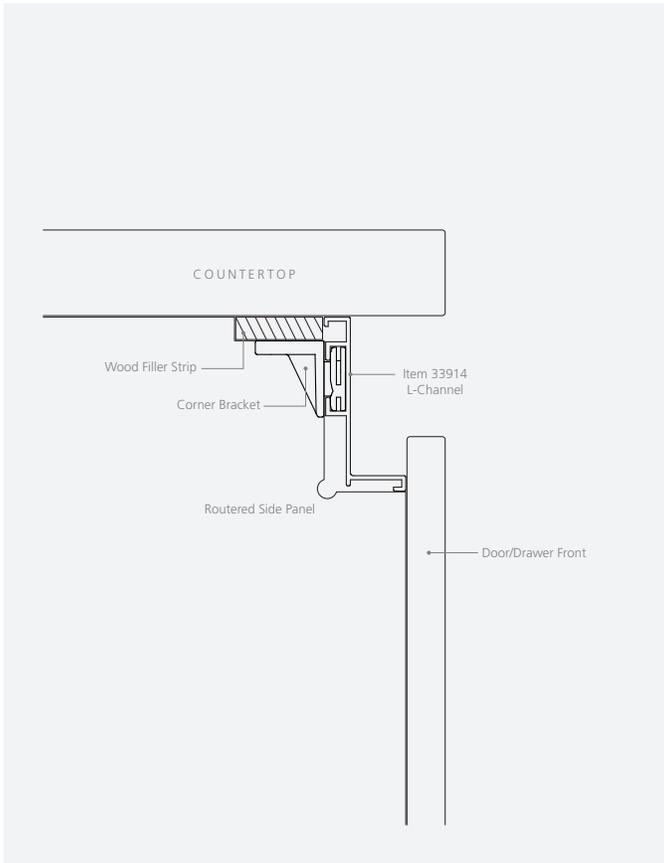
Light Gray \$1.00

Order Nr. 59296

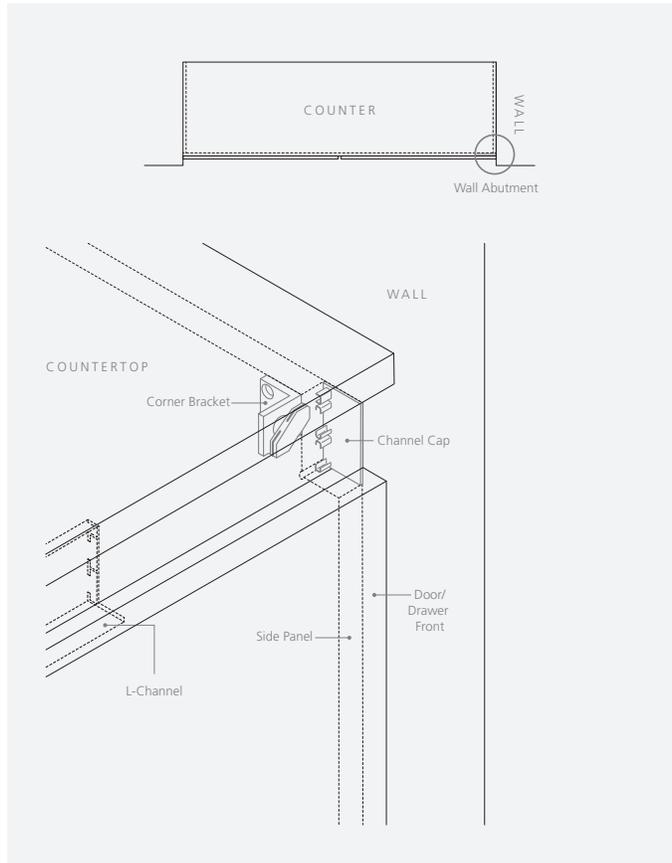


CAD drawings available on request.

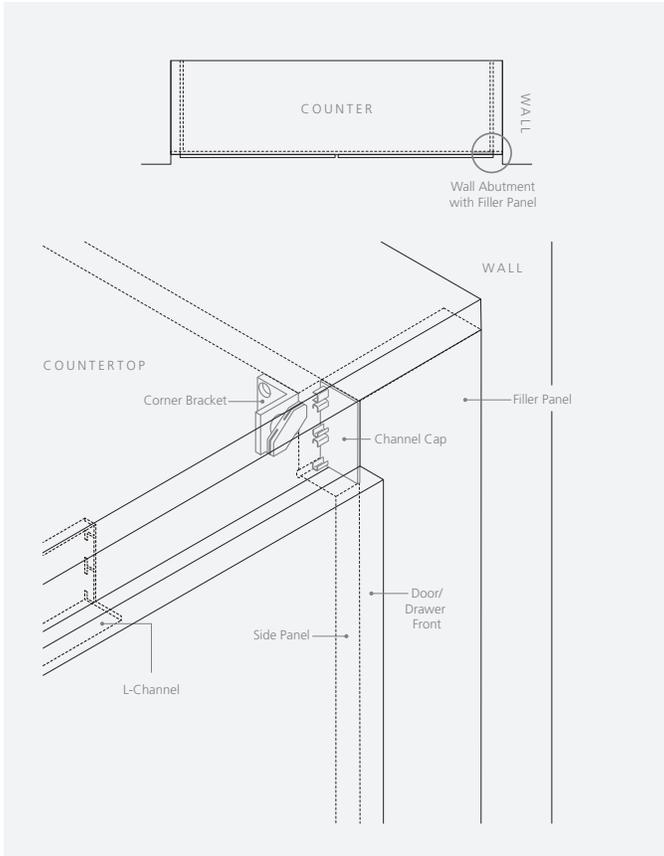
## L-Channel Installation Detail



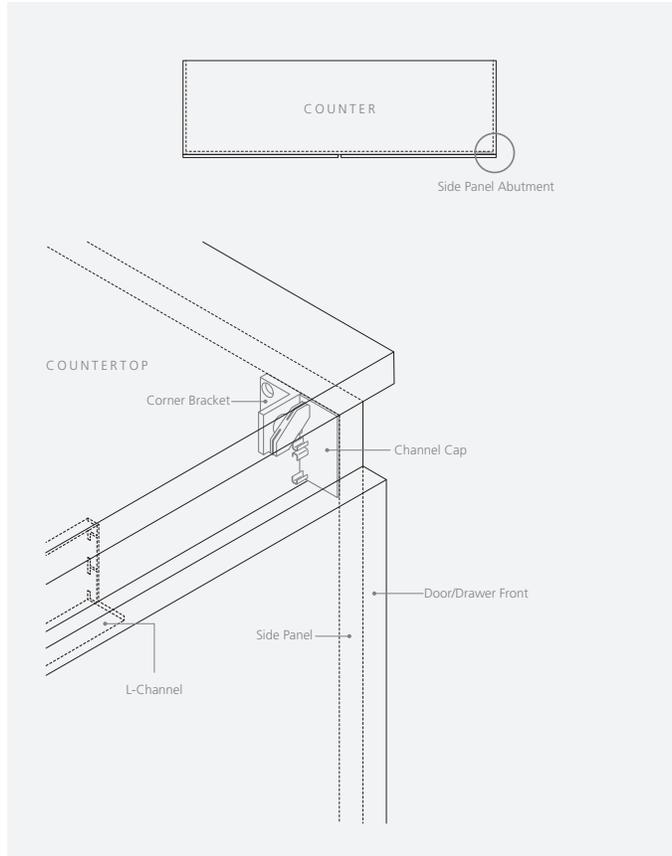
## Wall Abutment Detail



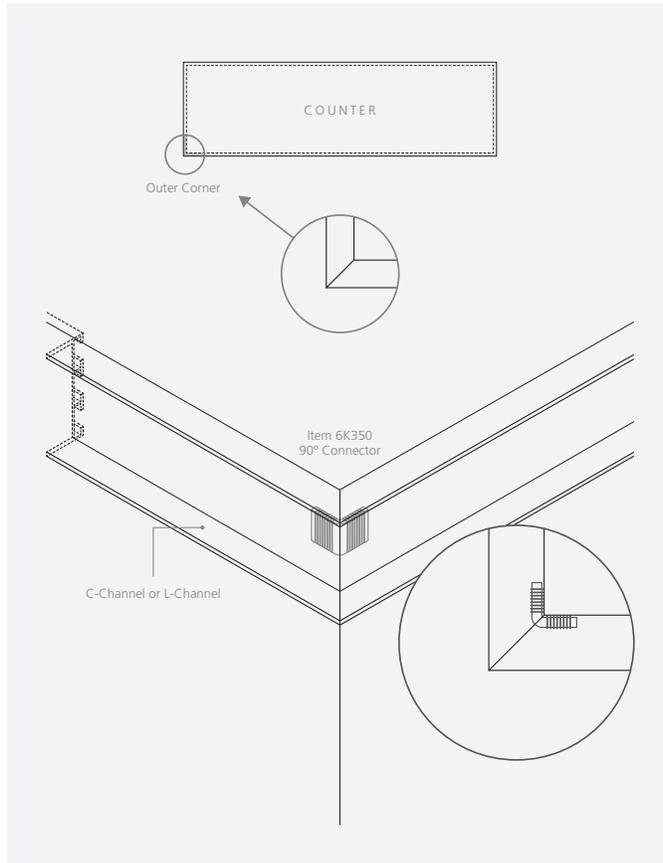
## Wall Abutment with Filler Panel Detail



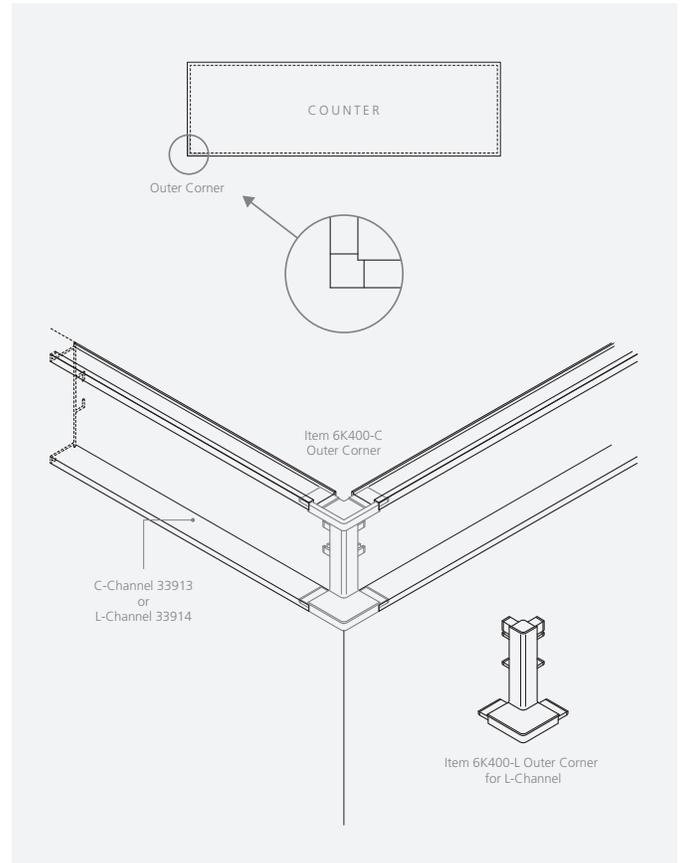
## Side Panel Abutment Detail



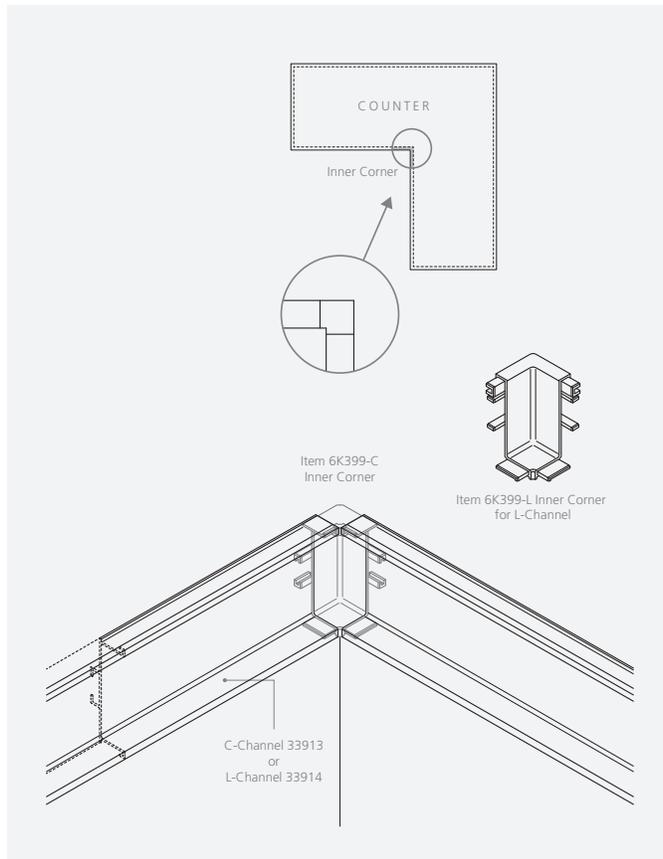
### Mitered Outer Corner Detail



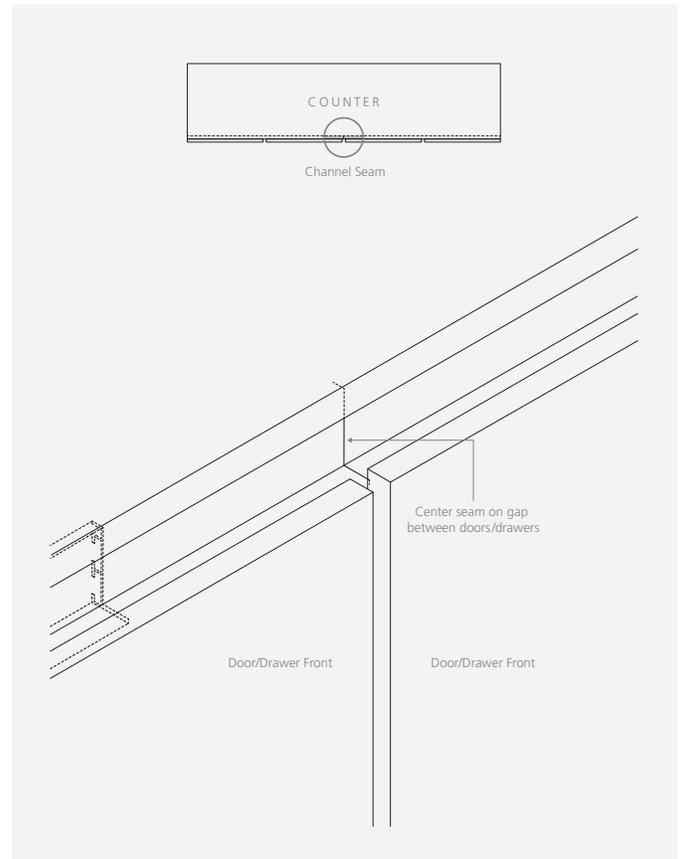
### Straight Cut Outer Corner Detail



### Straight Cut Inner Corner Detail



### Seam Detail



# Product Index

Order Nr.	Item Nr.	Page	Order Nr.	Item Nr.	Page	Order Nr.	Item Nr.	Page	Order Nr.	Item Nr.	Page
50009	3132-96	32	59036	Z306-128	19	59217	33998	33	59330	3766-768	43
50010	3132-128	31	59037	Z306-128	19	59218	33998-64	33	59331	3766 Custom	43
50011	3132-160	31	59038	Z306-128	19	59219	33998-64	33	59332	4398-50	41
50012	3132-192	31	59039	Z306-128	19	59220	33998-64	33	59333	4398-58	41
50700	2022	10	59040	Z306-160	19	59221	33998-128	33	59334	4398-80	41
50701	2022	10	59042	Z306-160	19	59222	33998-128	33	59335	2361-32	8
51395	2361-32	8	59045	2334-192	16	59223	33998-128	33	59336	2361-32	8
51396	2361-32	8	59046	2334-128	16	59224	33998-160	33	59337	3793-32	8
51407	2361-32	8	59055	2891-64	15	59225	33998-160	33	59338	2935-32	10
51473	3243-128	26	59056	2891-128	15	59226	33998-160	33	59340	3793-32	8
51474	3243-160	26	59057	2891-192	15	59227	33998-256	33	59341	2022	10
51475	3243-192	26	59058	Z078	12	59228	33998-256	33	59342	2022	10
51477	3243-256	26	59068	3793-32	8	59229	33998-256	33	59343	2607	10
51479	3243-320	26	59069	3793-32	8	59230	33651-32	9	59344	2607	10
51482	3243-480	26	59070	3793-32	8	59231	33651-32	9	59345	2518	11
51515	4537-128	35	59071	3793-32	8	59232	33651-32	9	59346	Z078	12
51747	2334-128	16	59074	2022	10	59232	33651-160	9	59348	2891-64	15
51749	2334-128	16	59078	2607	10	59234	33651-160	9	59349	2891-128	15
51877	2389-128	17	59085	3756-64	14	59240	3913-290	44	59350	2891-192	15
51948	4452	35	59086	3756-192	14	59241	3913-290	44	59351	3756-64	14
51970	4141	9	59087	2389-320	18	59242	3913-290	44	59352	3756-192	14
51984	4135-128	28	59088	2389-480	18	59243	3913-290	44	59353	3756-64	14
51985	4135-160	28	59089	2389-64	17	59244	3914-290	44	59354	3756-192	14
51986	4135-192	28	59090	2389-128	17	59245	3914-290	44	59355	2389-64	17
51988	4135-256	28	59091	2389-160	17	59246	3914-290	44	59356	2389-128	17
51990	4135-320	28	59092	2389-192	17	59247	3914-290	44	59357	2389-160	17
51993	4135-480	28	59093	2389-256	18	59248	3915-290	44	59358	2389-192	17
52242	3289-128	30	59094	2389-320	18	59249	3915-290	44	59359	2389-256	18
52243	3289-160	30	59095	2389-480	18	59250	3915-290	44	59360	2389-320	18
52244	3289-192	30	59096	2334-128	16	59251	3915-290	44	59361	2389-480	18
52246	3289-256	30	59097	2334-192	16	59252	3916-290	44	59362	2389-64	17
52248	3289-320	30	59099	2548-128	16	59253	3916-290	44	59363	2389-128	17
52251	3289-480	30	59100	2548-192	16	59254	3916-290	44	59364	2389-160	17
52287	2518	11	59107	2517-192	18	59255	3916-290	44	59365	2389-192	17
52288	2518	11	59110	Z114-128	21	59256	6K376-L L	46	59366	2389-256	18
52290	2578	12	59111	Z114-128	21	59257	6K376-L L	46	59367	2389-320	18
52291	2578	12	59112	Z037-192	21	59258	6K376-L L	46	59368	2389-480	18
52313	3343-128	31	59113	4588-320	27	59259	6K376-L L	46	59369	2389-320	18
52315	3343-192	31	59114	4588-480	27	59260	6K376-L R	46	59370	2389-480	18
52358	2930-160	25	59115	4588-736	27	59261	6K376-L R	46	59371	2334-128	16
52518	2891-128	15	59116	4587-320	29	59262	6K376-L R	46	59372	2334-192	16
52519	2891-128	14	59117	4587-480	29	59263	6K376-L R	46	59373	2334-128	16
52555	2607	10	59118	4587-736	29	59264	6K377-L L	46	59374	2334-192	16
52682	2518	11	59119	3343-256	31	59265	6K377-L L	46	59375	Z245-64	22
52834	2389-64	17	59120	3343-448	31	59266	6K377-L L	46	59376	Z245-64	22
52836	2389-160	17	59121	3343-736	31	59267	6K377-L L	46	59379	4141	9
52837	2389-256	18	59125	2930-320	25	59268	6K377-L R	46	59380	4141	9
52901	2935-32	10	59129	Z167-32	22	59269	6K377-L R	46	59381	4141	9
53172	2389-192	17	59130	Z198	22	59270	6K377-L R	46	59382	4141	9
53203	Z045-64	13	59131	4398-80	41	59271	6K377-L R	46	59383	Z273-160	13
53205	Z045-64	13	59138	Z199-32	23	59272	6K378	45	59384	Z273-160	13
53206	Z045-160	13	59139	Z199-32	23	59273	6K378	45	59385	Z273-160	13
53208	Z045-160	13	59143	Z204-160	23	59274	6K378	45	59386	Z221-16	36
53213	2891-64	15	59147	Z240-128	24	59275	6K378	45	59387	Z221-16	36
53214	2891-64	15	59148	Z240-128	24	59276	6K379	45	59388	Z326-160	36
53216	2891-192	15	59149	Z240-128	24	59277	6K379	45	59389	Z326-160	36
53217	2891-192	15	59150	Z240-160	24	59278	6K379	45	59390	Z326-160	36
53218	3756-64	14	59151	Z240-160	24	59279	6K379	45	59391	Z313	38
53220	3756-192	14	59152	Z240-320	24	59280	6K399-C	45	59392	Z313	38
53355	Z075	11	59153	Z240-320	24	59281	6K399-C	45	59393	Z313	38
53358	Z078	12	59154	Z245-64	22	59282	6K399-C	45	59394	Z313	38
53360	Z078	12	59155	Z245-64	22	59283	6K399-C	45	59395	Z337	37
53436	3796	40	59156	Z245-64	22	59284	6K399-L IC	47	59396	Z337	37
53468	4398-50	41	59160	2930-96	25	59285	6K399-L IC	47	59397	Z327	38
53469	4398-50	41	59161	2930-96	25	59286	6K399-L IC	47	59398	Z327	38
53471	4398-60	41	59162	Z167-32	22	59287	6K399-L IC	47	59399	Z327	38
53472	4398-60	41	59164	4398-50	41	59288	6K400-C	45	59400	3958-256	32
53474	4398-80	41	59167	4398-59	41	59289	6K400-C	45	59401	3956-320	32
53475	4398-80	41	59177	Z306-160	19	59290	6K400-C	45	59402	3956-480	32
53651	4410-26	40	59178	Z306-160	19	59291	6K400-C	45	59404	4537-192	35
53652	4410-41	40	59179	Z306-160	19	59292	6K400-L OC	47	59405	33998	33
53653	4410-61	40	59180	Z334-192	16	59293	6K400-L OC	47	59406	Z337	37
53737	2930-160	25	59181	Z334-192	16	59294	6K400-L OC	47	59407	33651-160	9
53757	Z240-320	24	59182	Z395-64	20	59295	6K400-L OC	47	59408	Z2766-32	9
53760	Z240-160	24	59183	Z395-64	20	59296	6K351	47	59409	Z2766-32	9
53769	Z204-160	23	59184	Z395-64	20	59297	6K350	47	59410	Z2766-32	9
53866	2930-320	25	59185	Z395-64	20	59298	6K136	47	59411	Z390	37
53896	Z198	22	59186	Z395-160	20	59299	3766-96	42	59412	Z390	37
54230	2389-64	17	59187	Z395-160	20	59300	3766-160	42	59413	Z390	37
54232	2389-128	17	59188	Z395-160	20	59301	3766-256	42	59414	Z390	37
54233	2389-160	17	59189	Z395-160	20	59302	3766-320	42	59415	33906	40
54234	2389-192	17	59190	Z395-320	20	59303	3766-384	43	59416	33906	40
54235	2389-256	18	59191	Z395-320	20	59304	3766-448	43	59417	33906	40
54298	Z273-160	13	59192	Z395-320	20	59305	3766-576	43	59418	33906	40
54350	3958-128	32	59193	Z395-320	20	59306	3766-768	43	59419	2935-32	10
54351	3958-160	32	59194	44702-64	34	59307	3766-96	42	59420	2935-32	10
54352	3958-192	32	59195	44702-64	34	59308	3766-160	42	59421	Z045-64	13
54401	Z221-16	36	59196	44702-64	34	59309	3766-256	42	59422	Z045-64	13
59003	3766-96	42	59197	44702-128	34	59310	3766-320	42	59423	Z045-160	13
59004	3766-160	42	59198	44702-128	34	59311	3766-384	43	59424	Z045-160	13
59005	3766-256	42	59199	44702-128	34	59312	3766-448	43	59425	2891-64	15
59006	3766-320	42	59200	44702-160	34	59313	3766-576	43	59426	2891-64	15
59007	3766-448	43	59201	44702-160	34	59314	3766-768	43	59427	2891-128	15
59009	Z075	11	59202	44702-160	34	59315	3766-96	42	59428	2891-128	15
59010	Z037-192	21	59203	44702-256	34	59316	3766-160	42	59429	2891-192	15
59011	3766-576	43	59204	44702-256	34	59317	3766-256	42	59430	2891-192	15
59012	3766-768	43	59205	44702-256	34	59318	3766-320	42	59431	2548-128	16
59014	Z306-64	19	59206	34043-64	14	59319	3766-384	43	59432	2548-128	16
59015	Z306-64	19	59207	34043-64	14	59320	3766-448	43	59433	2548-192	16
59016	Z306-64	19	59208	34043-64	14	59321	3766-576	43	59434	2548-192	16
59017	Z306-64	19	59209	34043-128	14	59322	3766-768	43	59435	88908	39
59019	2517-1										

Item Nr.	Order Nr.	Page	Item Nr.	Order Nr.	Page	Item Nr.	Order Nr.	Page	Item Nr.	Order Nr.	Page
2022	50700	10	2891-192	59430	15	3766-576	59313	43	6K399-C	59282	45
2022	50701	10	2891-64	53213	15	3766-576	59321	43	6K399-C	59283	45
2022	59074	10	2891-64	53214	15	3766-576	59329	43	6K399-L IC	59284	47
2022	59341	10	2891-64	59055	15	3766-576	59011	43	6K399-L IC	59285	47
2022	59342	10	2891-64	59348	15	3766-768	59306	43	6K399-L IC	59286	47
2518	52287	11	2891-64	59425	15	3766-768	59314	43	6K399-L IC	59287	47
2518	52288	11	2891-64	59426	15	3766-768	59322	43	6K400-C	59288	45
2518	52682	11	2930-160	52358	25	3766-768	59330	43	6K400-C	59289	45
2518	59345	11	2930-160	53737	25	3766-768	59012	43	6K400-C	59290	45
2578	52290	12	2930-320	53866	25	3766 Custom	59331	43	6K400-C	59291	45
2578	52291	12	2930-320	59125	25	3793-32	59068	8	6K400-L OC	59292	47
2607	52555	10	2930-96	59160	25	3793-32	59069	8	6K400-L OC	59293	47
2607	59078	10	2930-96	59161	25	3793-32	59070	8	6K400-L OC	59294	47
2607	59343	10	2935-32	52901	10	3793-32	59071	8	6K400-L OC	59295	47
2607	59344	10	2935-32	59338	10	3793-32	59337	8	Z011-160	59300	21
3796	53436	40	2935-32	59419	10	3793-32	59340	8	Z011-160	59301	21
4141	51970	9	2935-32	59420	10	3913-290	59240	44	Z037-192	59310	21
4141	59379	9	3132-96	50009	32	3913-290	59241	44	Z037-192	59312	21
4141	59380	9	3132-128	50010	31	3913-290	59242	44	Z045-64	53203	13
4141	59381	9	3132-160	50011	31	3913-290	59243	44	Z045-64	53205	13
4141	59382	9	3132-192	50012	31	3914-290	59244	44	Z045-64	59421	13
4452	51948	35	3243-128	51473	26	3914-290	59245	44	Z045-64	59422	13
33906	59415	40	3243-160	51474	26	3914-290	59246	44	Z045-160	53206	13
33906	59416	40	3243-192	51475	26	3914-290	59247	44	Z045-160	53208	13
33906	59417	40	3243-256	51477	26	3915-290	59248	44	Z045-160	59423	13
33906	59418	40	3243-320	51479	26	3915-290	59249	44	Z045-160	59424	13
88908	59435	39	3243-480	51482	26	3915-290	59250	44	Z075	53355	11
88908	59436	39	3289-128	52242	30	3915-290	59251	44	Z075	59009	11
88947	59437	39	3289-160	52243	30	3916-290	59252	44	Z078	53358	12
88947	59438	39	3289-192	52244	30	3916-290	59253	44	Z078	53360	12
88948	59439	39	3289-256	52246	30	3916-290	59254	44	Z078	59058	12
88948	59440	39	3289-320	52248	30	3916-290	59255	44	Z078	59346	12
22766-32	59408	9	3289-480	52251	30	3956-320	59401	32	Z114-128	59110	21
22766-32	59409	9	3343-128	52313	31	3956-480	59402	32	Z114-128	59111	21
22766-32	59410	9	3343-192	52315	31	3958-128	54350	32	Z167-32	59129	22
2334-128	51747	16	3343-256	59119	31	3958-160	54351	32	Z167-32	59162	22
2334-128	51749	16	3343-448	59120	31	3958-192	54352	32	Z198	53896	22
2334-128	59046	16	3343-736	59121	31	3958-256	59400	32	Z198	59130	22
2334-128	59096	16	33651-32	59230	9	4135-128	51984	28	Z199-32	59138	23
2334-128	59371	16	33651-32	59231	9	4135-160	51985	28	Z199-32	59139	23
2334-128	59373	16	33651-32	59232	9	4135-192	51986	28	Z204-160	53769	23
2334-192	59045	16	33651-160	59232	9	4135-256	51988	28	Z204-160	59143	23
2334-192	59097	16	33651-160	59234	9	4135-320	51990	28	Z221-16	54401	36
2334-192	59180	16	33651-160	59407	9	4135-480	51993	28	Z221-16	59386	36
2334-192	59181	16	33998	59215	33	4398-50	53468	41	Z221-16	59387	36
2334-192	59372	16	33998	59216	33	4398-50	53469	41	Z240-128	59147	24
2334-192	59374	16	33998	59217	33	4398-50	59164	41	Z240-128	59148	24
2361-32	51395	8	33998	59405	33	4398-50	59332	41	Z240-128	59149	24
2361-32	51396	8	33998-64	59218	33	4398-60	59333	41	Z240-160	53760	24
2361-32	51407	8	33998-64	59219	33	4398-60	59167	41	Z240-160	59150	24
2361-32	59335	8	33998-64	59220	33	4398-60	53472	41	Z240-160	59151	24
2361-32	59336	8	33998-128	59221	33	4398-60	53471	41	Z240-320	53757	24
2389-128	51877	17	33998-128	59222	33	4398-80	53474	41	Z240-320	59152	24
2389-128	54232	17	33998-128	59223	33	4398-80	53475	41	Z240-320	59153	24
2389-128	59090	17	33998-160	59224	33	4398-80	59131	41	Z245-64	59154	22
2389-128	59356	17	33998-160	59225	33	4398-80	59334	41	Z245-64	59155	22
2389-128	59363	17	33998-160	59226	33	4410-26	53651	40	Z245-64	59156	22
2389-160	52836	17	33998-256	59227	33	4410-41	53652	40	Z245-64	59375	22
2389-160	54233	17	33998-256	59228	33	4410-61	53653	40	Z245-64	59376	22
2389-160	59091	17	33998-256	59229	33	44702-64	59194	34	Z273-160	54298	13
2389-160	59357	17	34043-64	59206	14	44702-64	59195	34	Z273-160	59383	13
2389-160	59364	17	34043-64	59207	14	44702-64	59196	34	Z273-160	59384	13
2389-192	53172	17	34043-64	59208	14	44702-128	59197	34	Z273-160	59385	13
2389-192	54234	17	34043-128	59209	14	44702-128	59198	34	Z306-64	59014	19
2389-192	59092	17	34043-128	59210	14	44702-128	59199	34	Z306-64	59015	19
2389-192	59358	17	34043-128	59211	14	44702-160	59200	34	Z306-64	59016	19
2389-192	59365	17	34043-192	59212	14	44702-160	59201	34	Z306-64	59017	19
2389-256	52837	18	34043-192	59213	14	44702-160	59202	34	Z306-64	59022	19
2389-256	54235	18	34043-192	59214	14	44702-256	59203	34	Z306-128	59035	19
2389-256	59093	18	3756-64	53218	14	44702-256	59204	34	Z306-128	59036	19
2389-256	59359	18	3756-64	59085	14	44702-256	59205	34	Z306-128	59037	19
2389-256	59366	18	3756-64	59351	14	4537-128	51515	35	Z306-128	59038	19
2389-320	59087	18	3756-64	59353	14	4537-192	59404	35	Z306-128	59039	19
2389-320	59094	18	3756-192	53220	14	4587-320	59116	29	Z306-160	59040	19
2389-320	59360	18	3756-192	59086	14	4587-480	59117	29	Z306-160	59042	19
2389-320	59367	18	3756-192	59352	14	4587-736	59118	29	Z306-160	59177	19
2389-320	59369	18	3756-192	59354	14	4588-320	59113	27	Z306-160	59178	19
2389-480	59088	18	3766-96	59299	42	4588-480	59114	27	Z306-160	59179	19
2389-480	59095	18	3766-96	59307	42	4588-736	59115	27	Z313	59391	38
2389-480	59361	18	3766-96	59315	42	6K136	59298	47	Z313	59392	38
2389-480	59368	18	3766-96	59323	42	6K350	59297	47	Z313	59393	38
2389-480	59370	18	3766-96	59003	42	6K351	59296	47	Z313	59394	38
2389-64	52834	17	3766-160	59300	42	6K376-LL	59256	46	Z326-160	59388	36
2389-64	54230	17	3766-160	59308	42	6K376-LL	59257	46	Z326-160	59389	36
2389-64	59089	17	3766-160	59316	42	6K376-LL	59258	46	Z326-160	59390	36
2389-64	59355	17	3766-160	59324	42	6K376-LL	59259	46	Z327	59397	38
2389-64	59362	17	3766-160	59004	42	6K376-LR	59260	46	Z327	59398	38
2517-192	59019	18	3766-256	59301	42	6K376-LR	59261	46	Z327	59399	38
2517-192	59107	18	3766-256	59309	42	6K376-LR	59262	46	Z337	59395	37
2548-128	59027	16	3766-256	59317	42	6K376-LR	59263	46	Z337	59396	37
2548-128	59099	16	3766-256	59325	42	6K377-LL	59264	46	Z337	59406	37
2548-128	59431	16	3766-256	59007	42	6K377-LL	59265	46	Z390	59411	37
2548-128	59432	16	3766-320	59302	42	6K377-LL	59266	46	Z390	59412	37
2548-192	59028	16	3766-320	59310	42	6K377-LL	59267	46	Z390	59413	37
2548-192	59100	16	3766-320	59318	42	6K377-LR	59268	46	Z390	59414	37
2548-192	59433	16	3766-320	59326	42	6K377-LR	59269	46	Z395-64	59182	20
2548-192	59434	16	3766-320	59006	42	6K377-LR	59270	46	Z395-64	59183	20
2891-128	52518	15	3766-384	59303	43	6K377-LR	59271	46	Z395-64	59184	20
2891-128	52519	14	3766-384	59311	43	6K378	59272	45	Z395-64	59185	20
2891-128	59056	15	3766-384	59319	43	6K378	59273	45	Z395-160	59186	20
2891-128	59349	15	3766-384	59327	43	6K378	59274	45	Z395-160	59187	20
2891-128	59427	15	3766-384	59441	43						

## General Information

### 1.

Terms: Net 30 days on established credit.

### 2.

Shipping and handling: all orders are shipped FOB Scottsdale, Arizona. Standard service level is ground shipping. Fees apply. Third party and rush shipping available. Please provide account number and specify service level. Drop shipment available upon request.

### 3.

Returned goods: merchandise may be returned only with our approval within 30 days of receipt of merchandise. A Schwinn issued RGA number must accompany all returns. Returns must be sent freight prepaid unless we have agreed in writing to issue a call tag.

### 4.

Minimum order: one (1) piece. A \$10.00 handling fee applies to orders valued at less than \$50.00 net.

### 5.

Samples: up to three samples (three different items) are provided free of charge. Shipping charges apply. Sample orders from \$25.00 to \$50.00 net will be memo invoiced and credited to a subsequent order of \$250.00 or more placed within 90 days. Sample orders of \$50.00 or more will be invoiced at suggested retail prices minus applicable discount.

### 6.

Prices: prices in this catalog are suggested retail prices per piece and are subject to change without notice.

### 7.

Claims: shortages, damages or discrepancies between ordered and received items of any kind must be reported to Schwinn within 48 hours from the date the shipment was received. Schwinn is not responsible for damage to merchandise caused by the delivery carrier.

### 8.

Our craftsmen and finish experts strive to maintain consistent quality in all of our products. Variations in finish color, sheen, and texture occur naturally and do not constitute a defect. The specific range of variation depends on the finish process and material. We do not guarantee the match of a finish to a sample, different model, or different production runs.

Leather is a natural product from animal hides and therefore differs from hide to hide. Variations in the texture of the leather should not be considered a fault but inherent of the natural beauty and uniqueness of the leather. As every piece of leather is different and may accept dyes a little differently during the tanning process, this may cause irregularities in the consistency and depth of the color. Markings such as dents, scars, scratches, wrinkles or blemishes occur naturally in leather. These irregularities should not be considered as a defect but rather indications of genuine leather.

Stainless steel grade 303, the grade commonly used in cabinet hardware for its machinability, should not be exposed to marine or other similar environments, as this will result in rapid pitting corrosion. Schwinn Performance Finish products provide maximum corrosion resistance, chemical resistance, as well as abrasion resistance in addition to their antimicrobial properties.

### 9.

Warranty: Schwinn warrants that its products are free from defects in workmanship and materials. Schwinn is not responsible for failure due to incorrect installation, failure to follow mounting instructions or use of product in a manner for which it was not designed. Failure due to abuse, misuse or accident, any failure due to dismantling, alteration, or repair by any person not authorized by Schwinn. Failure due to incorrect maintenance. Fair wear and tear. Cost of removal, installation and freight. Deterioration and discoloring of finishes over time due to climate conditions.

### 10.

Liability: Schwinn's liability hereunder is limited to the purchase price of the product. In no event shall Schwinn be liable for any consequential, indirect, incidental or special damages of any nature arising from the sale or use of the product, whether in contract, tort, strict liability or otherwise.

### 11.

Screws: all our handles and knobs require the use of metric screws. If "cut-off" screws are used: these screws can be cut at specific increments to accommodate the most common panel thicknesses. Please use end cutting or side cutting pliers and cut at specific increments only. Improperly cut screws will damage the tapping in the handle or knob.

### 12.

Care of hardware: please use a damp, non-abrasive cloth or sponge and mild soap only.

### 13.

Displays: a high quality display program for showrooms with sample boards for wall or free-standing presentation is available upon request.

#### Metric – Imperial Conversion

16 mm	=	5/8"
32 mm	=	1 1/4"
48 mm	=	1 7/8"
64 mm	=	2 1/2"
96 mm	=	3 3/4"
128 mm	=	5"
160 mm	=	6 5/16"
192 mm	=	7 1/2"
224 mm	=	8 13/16"
256 mm	=	10 1/16"
320 mm	=	12 5/8"
352 mm	=	13 7/8"
360 mm	=	14 3/16"
448 mm	=	17 5/8"
480 mm	=	18 15/16"
736 mm	=	29"

#### Design Credits

© Schwinn Hardware, Inc.

Design: Schwinn Hardware, Inc.

Schwinn Hardware, Inc.

Schwinn Beschlaege,

[www.schwinnhardware.com](http://www.schwinnhardware.com),

the Schwinn logo and Schwinn's distinctive product names are

exclusive proprietary trademarks of Schwinn Beschlaege GmbH.

All other trademarks, product names, designer names and company names are the property of the respective owners.

0  
5/8" 16 mm

1 1/4" 32 mm

1 7/8" 48 mm

2 1/2" 64 mm

3 3/4" 96 mm

5" 128 mm

6 5/16" 160 mm

7 1/2" 192 mm

8 13/16" 224 mm

10 1/16" 256 mm



# Touch has a memory. Schwinn.

For generations we have refined and perfected our designs and finishes to make handles people of all ages like to touch. To create a lifetime of memories.

